



Storefront Systems, Inc.  
 9170 Old Atlanta Highway, NW  
 Covington, GA 30014  
 770.784.1555  
 770.385.8010 Fax

NO.									
REVISION									
ISSUE DATE									
BY									
C/D									

ARCHITECT NAME AND LOCATION:  
 WAKEFIELD, BEASLEY & ASSOCIATES  
 5155 PEACHTREE PARKWAY  
 BUILDING 300, SUITE 3220  
 NORCROSS, GEORGIA 30092

CUSTOMER NAME AND LOCATION:  
 PANATTONI CONSTRUCTION, LLC.  
 ATLANTA, GEORGIA

PROJECT NAME AND LOCATION:  
 KUMHO TIRE  
 1240 HIGHWAY 155 SOUTH  
 LAND LOT 222, 7TH DISTRICT  
 HENRY COUNTY, GEORGIA

DESCRIPTION:  
 COVER

SCALE:  
 FULL

ISSUE DATE:  
 09/20/06

DRAWN BY:  
 BKB

CHECKED BY:  
 BKB

SHEET NO.:

C1

# KUMHO TIRE

1240 HIGHWAY 155 SOUTH  
 LAND LOT 222, 7TH DISTRICT  
 HENRY COUNTY, GEORGIA

## GENERAL NOTES

**FRAMING:** YKK YES45F-S STOREFRONT SYSTEM (1 3/4" x 4 1/2") FOR 1/4" GLASS  
 YKK YES45F-I (2" X 4 1/2") FOR 1" GLASS  
 YKK YCW 750 (2 1/2"x6") FOR 1" GLASS  
 YKK SERIES 35D MEDIUM STILE DOORS FOR 1/4" GLASS

**FINISH:** CLEAR ANODIZE

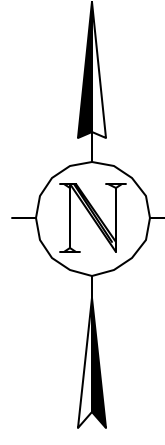
**GLASS SCHEDULE:**

GLASS LEGEND	
①	1" INSULATED BLUE GLASS
②	1" INSULATED BLUE TEMPERED GLASS
③	1" INSULATED BLUE SPANDREL GLASS
④	1/4" TEMPERED GREY GLASS
⑤	1/4" BLUE TEMPERED GLASS

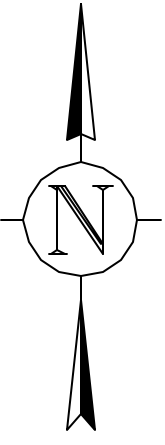
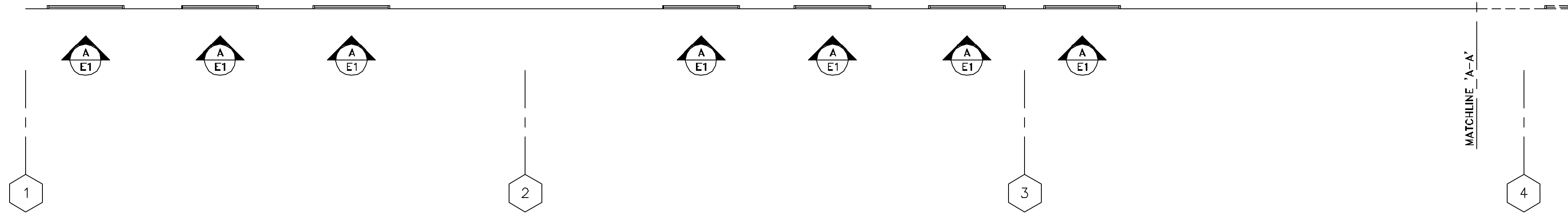
PAGE COUNT	
COVER	C1 TO C1
PLANS	P1 TO P3
ELEVATIONS	E1 TO E12
DETAILS	D1 TO D15
<b>TOTAL PAGES: 31</b>	

## DOOR AND HARDWARE SCHEDULE

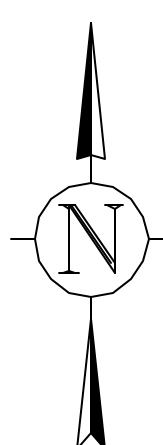
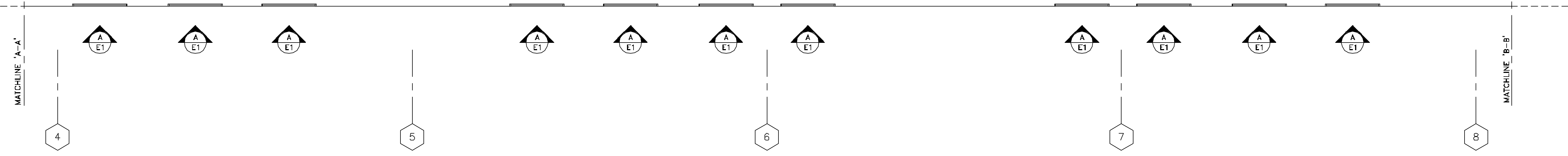
ARCHITECTS ENTRANCE NUMBER	100A																			
ARCHITECTS HARDWARE SET																				
DOOR TYPE (STYLE)	35D MEDIUM																			
PAIR OR SINGLE	PAIR																			
DOOR OPENING SIZE	6'-0" X 8'-0"																			
DOOR SWING	LH RH																			
ITEM #	HARDWARE DESCRIPTION	FINISH																		
1	YKK STANDARD SURFACE MOUNTED CLOSER NON-HOLD OPEN #H-6101	CLEAR																		
2	ROTON 780-224HD CONTINUOUS HINGE #H-2001	CLEAR																		
4	YKK AP SMART SERIES PUSH/PULL #H-1141	CLEAR																		
5	ADAMS-RITE MS 1850 HOOKBOLT WITH 1 1/2" BACKSET #H-3202	N/A																		
6	YKK STANDARD 5-PIN CYLINDER #H-4201	CLEAR																		
7	YKK AP STANDARD LEVER TYPE FLUSHBOLT #H-4101	CLEAR																		
8	BOTTOM RAIL WEATHERSTRIP W/GASKET H-7107	CLEAR																		
9	YKK STANDARD 1/2"x4" SADDLE TYPE THRESHOLD #H-8107 PAIR	MILL																		
										HARDWARE FURNISHED AND FABRICATED BY YKK/SHIPPED LOOSE FOR FIELD INSTALLATION		HARDWARE FURNISHED BY OTHERS PREPARATION AND APPLICATION BY YKK								
										HARDWARE FURNISHED AND APPLIED BY YKK		HARDWARE FURNISHED AND APPLIED BY OTHERS								
										HARDWARE FURNISHED BY YKK/SHIPPED LOOSE FOR FIELD APPLICATION		HARDWARE FURNISHED BY OTHERS AND APPLIED BY OTHERS WITH PREPARATION BY YKK								



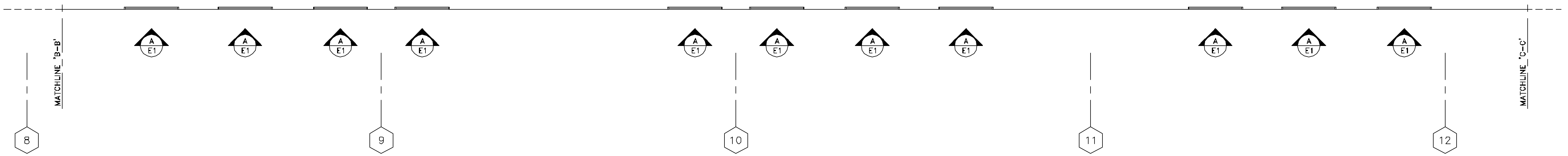
**FLOOR PLAN** (PARTIAL)  
 SCALE: 1/8"=1'-0"  
 ARCH. REF.: A1.2.1



**FLOOR PLAN** (PARTIAL)  
 SCALE: 1/8"=1'-0"  
 ARCH. REF.: A1.2.1



**FLOOR PLAN** (PARTIAL)  
 SCALE: 1/8"=1'-0"  
 ARCH. REF.: A1.2.1



Storefront Systems, Inc.  
 9170 Old Atlanta Highway, NW  
 Covington, GA 30014  
 770.784.1555  
 770.385.8010 Fax

NO.	REVISION	ISSUE DATE	BY	CHKD BY

ARCHITECT NAME AND LOCATION:  
**WAKEFIELD, BEASLEY & ASSOCIATES**  
 5155 PEACHTREE PARKWAY  
 BUILDING 300, SUITE 3220  
 NORCROSS, GEORGIA 30092

CUSTOMER NAME AND LOCATION:  
**PANATTONI CONSTRUCTION, LLC.**  
 ATLANTA, GEORGIA

PROJECT NAME AND LOCATION:  
**KUMHO TIRE**  
 1240 HIGHWAY 155 SOUTH  
 LAND LOT 222, 7TH DISTRICT  
 HENRY COUNTY, GEORGIA

DESCRIPTION: PLANS	
SCALE: 1/8"=1'-0"	ISSUE DATE: 09/20/06
DRAWN BY: BKB	SHEET NO.:
CHECKED BY: BKB	<b>P1</b>



Storefront Systems, Inc.  
 9170 Old Atlanta Highway, NW  
 Covington, GA 30014  
 770.784.1555  
 770.385.8010 Fax

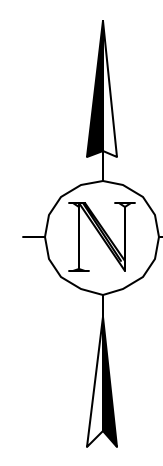
NO.	REVISION	ISSUE DATE	BY	CHKD BY

ARCHITECT NAME AND LOCATION:  
 WAKEFIELD, BEASLEY & ASSOCIATES  
 5155 PEACHTREE PARKWAY  
 BUILDING 300, SUITE 3220  
 NORCROSS, GEORGIA 30092

CUSTOMER NAME AND LOCATION:  
 PANATTONI CONSTRUCTION, LLC.  
 ATLANTA, GEORGIA

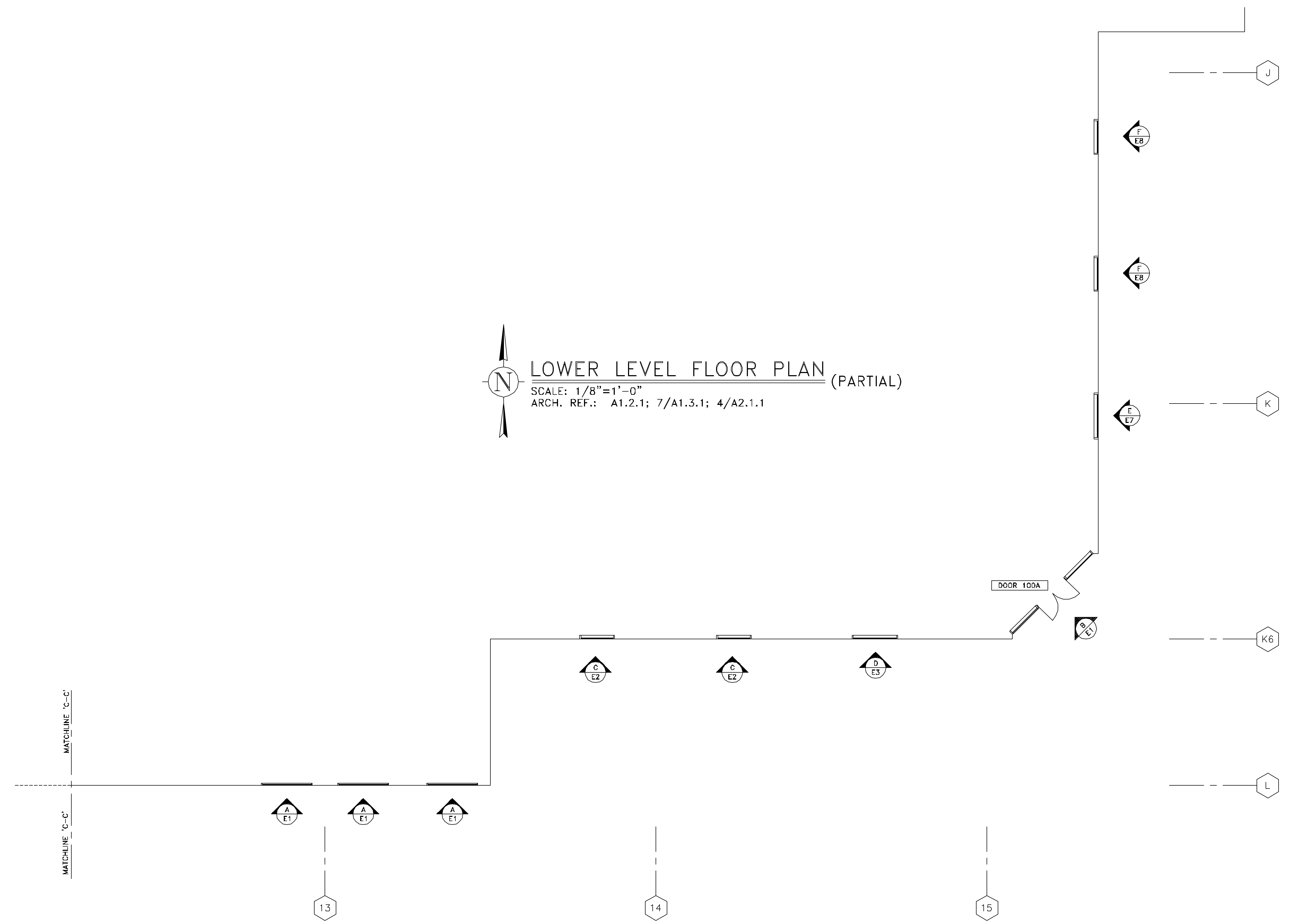
PROJECT NAME AND LOCATION:  
 KUMHO TIRE  
 1240 HIGHWAY 155 SOUTH  
 LAND LOT 222, 7TH DISTRICT  
 HENRY COUNTY, GEORGIA

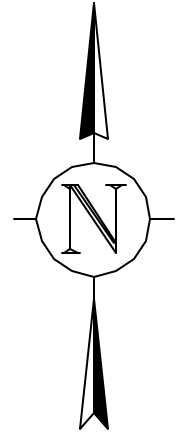
DESCRIPTION: PLANS	
SCALE: 1/8"=1'-0"	ISSUE DATE: 09/20/06
DRAWN BY: BKB	SHEET NO.:
CHECKED BY: BKB	P2



### LOWER LEVEL FLOOR PLAN (PARTIAL)

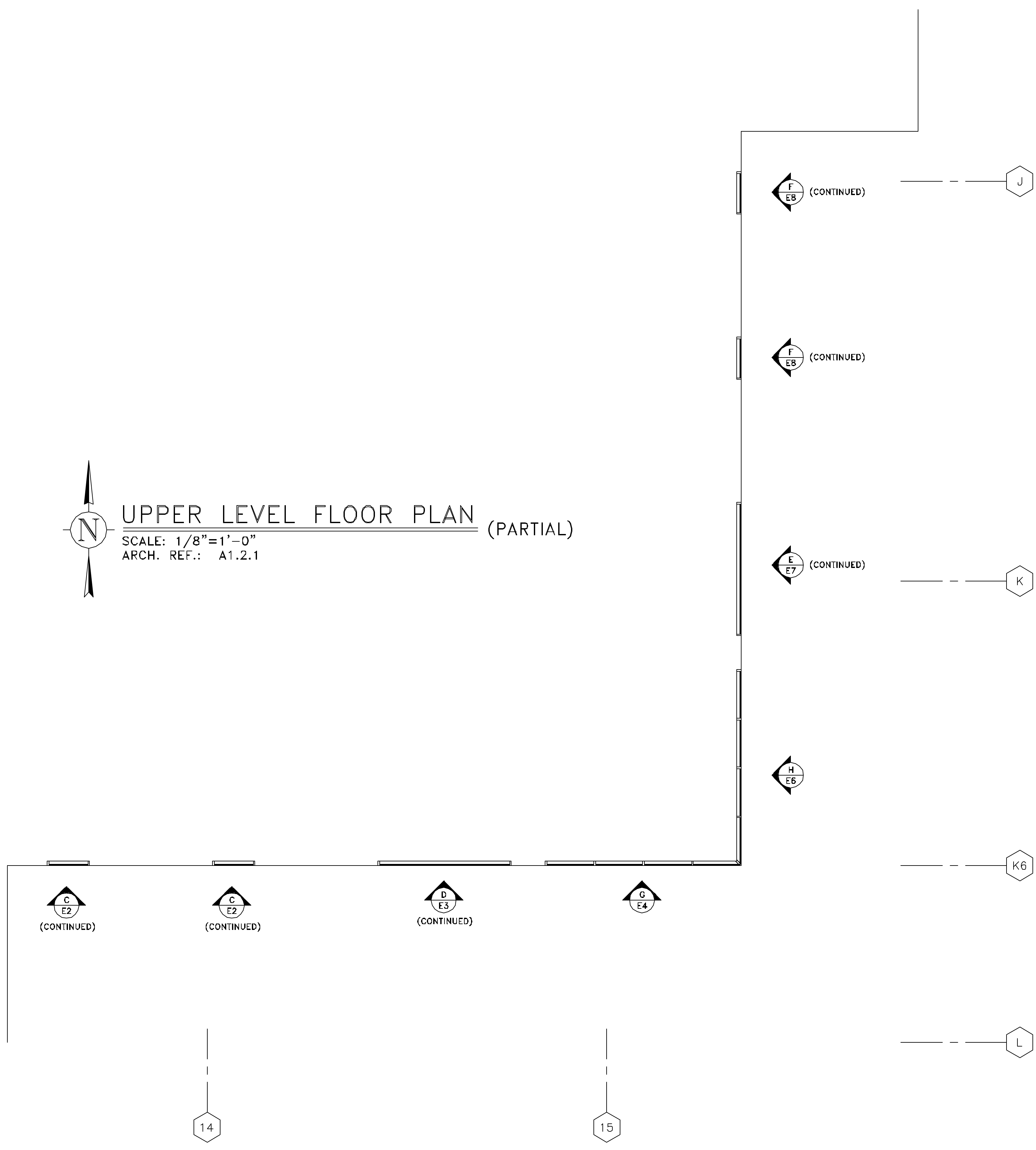
SCALE: 1/8"=1'-0"  
 ARCH. REF.: A1.2.1; 7/A1.3.1; 4/A2.1.1





# UPPER LEVEL FLOOR PLAN (PARTIAL)

SCALE: 1/8"=1'-0"  
ARCH. REF.: A1.2.1



Storefront Systems, Inc.  
9170 Old Atlanta Highway, NW  
Covington, GA 30014  
770.784.1555  
770.385.8010 Fax

NO.	REVISION	ISSUE DATE	BY	CHKD BY

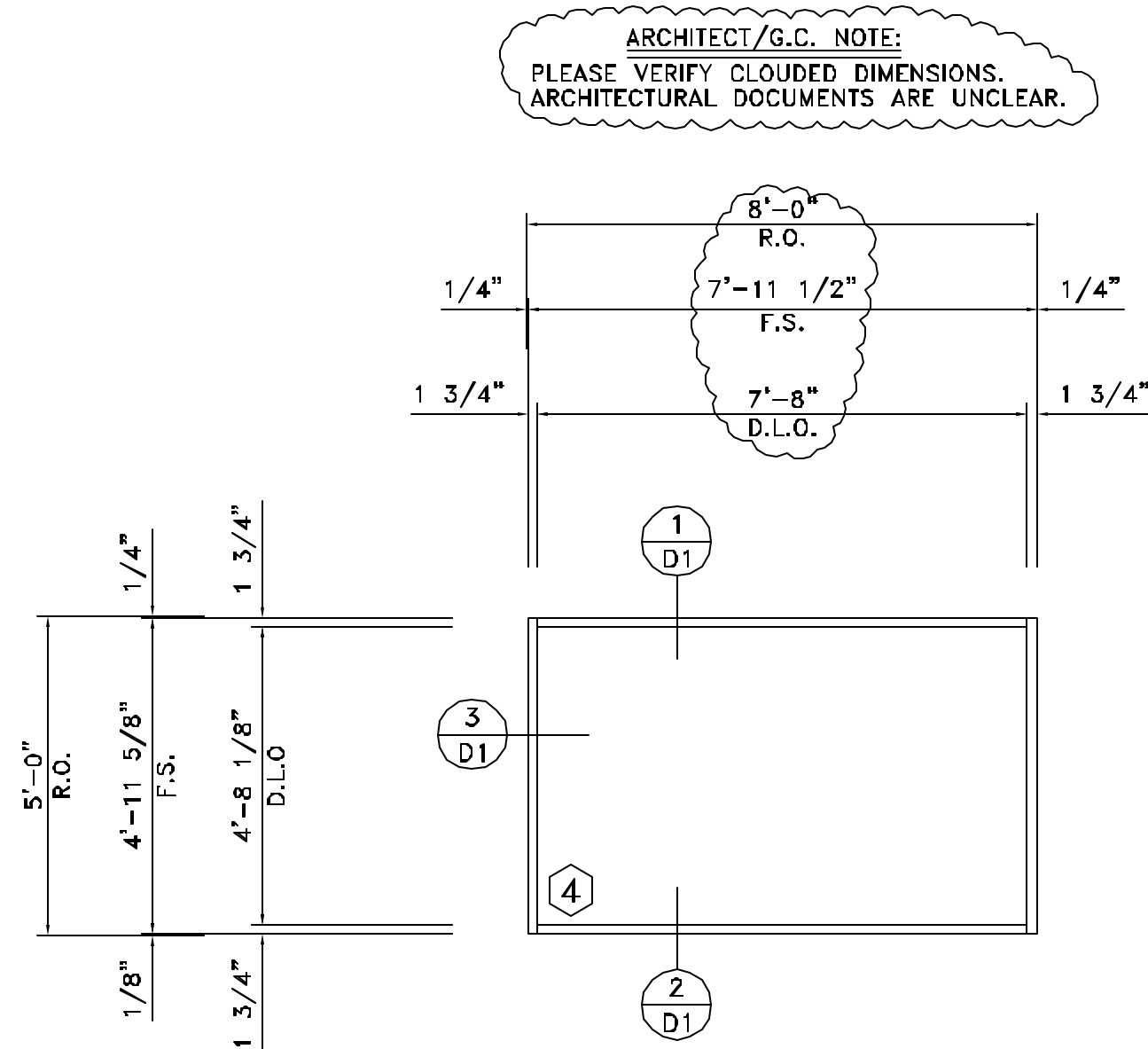
ARCHITECT NAME AND LOCATION:  
**WAKEFIELD, BEASLEY & ASSOCIATES**  
 5155 PEACHTREE PARKWAY  
 BUILDING 300, SUITE 3220  
 NORCROSS, GEORGIA 30092

CUSTOMER NAME AND LOCATION:  
**PANATTONI CONSTRUCTION, LLC.**  
 ATLANTA, GEORGIA

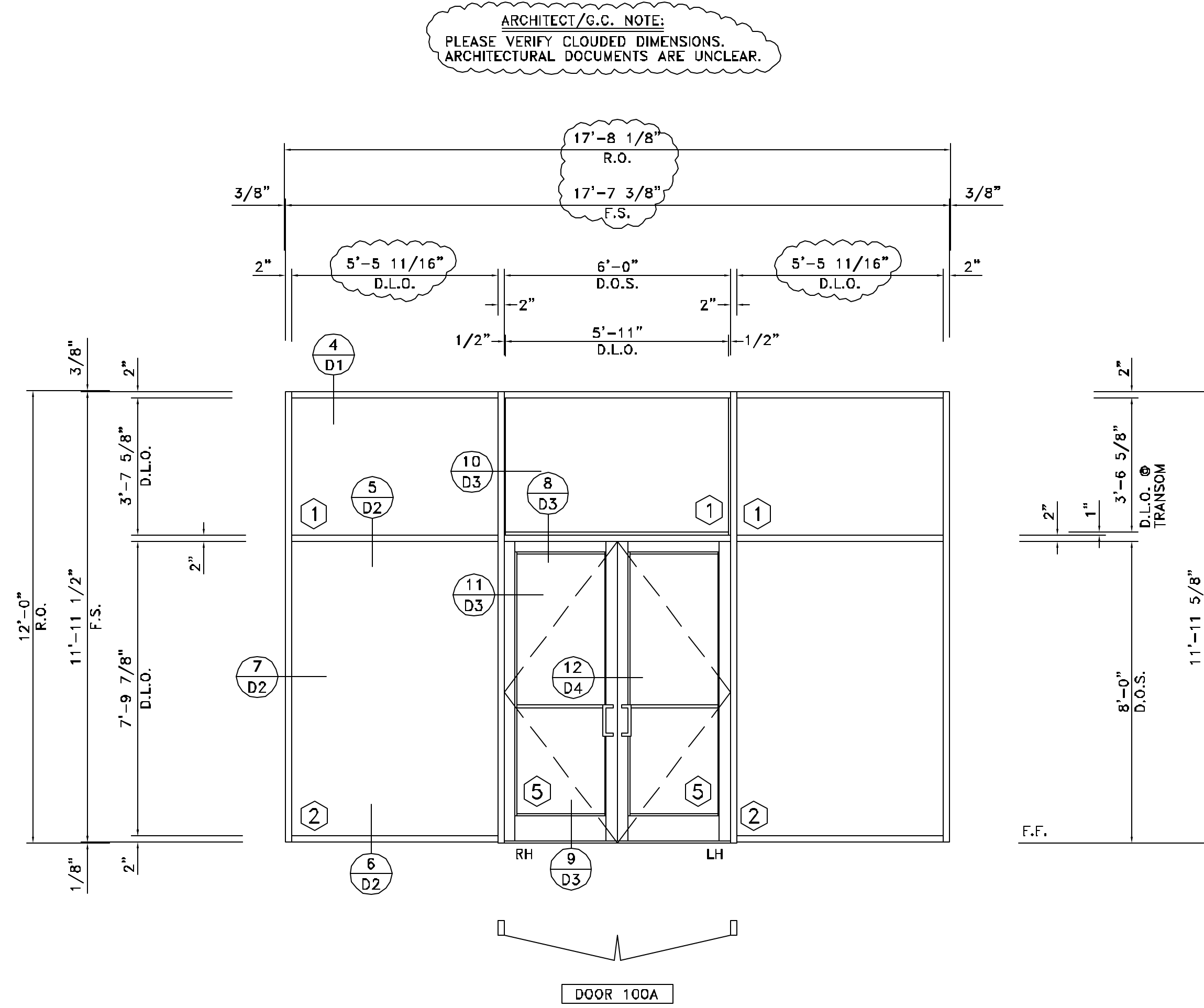
PROJECT NAME AND LOCATION:  
**KUMHO TIRE**  
 1240 HIGHWAY 155 SOUTH  
 LAND LOT 222, 7TH DISTRICT  
 HENRY COUNTY, GEORGIA

DESCRIPTION: PLANS	
SCALE: 1/8"=1'-0"	ISSUE DATE: 09/20/06
DRAWN BY: BKB	SHEET NO.:
CHECKED BY: BKB	<b>P3</b>

NO.	REVISION	ISSUE DATE	BY	CND



**ELEVATION 4**  
SCALE: 3/8"=1'-0"  
YES 45F-S (1 3/4" x 4 1/2")  
ARCH.REF.: 1/A1.2.1; 1/A1.2.2; 3&4/A3.1.1; 3/A4.1.1;  
THIRTY-TWO (32) THUS @ SOUTH ELEVATION - LOWER LEVEL



**ELEVATION B**  
SCALE: 3/8"=1'-0"  
YES45F-I (2"x4 1/2")  
ARCH.REF.:1/A1.2.1; 6/A1.2.5; 7/A1.3.1; 3/A4.1.2;  
ONE (1) THUS @ SOUTHEAST ELEVATION - LOWER LEVEL

GLASS LEGEND	
①	1" INSULATED BLUE GLASS
②	1" INSULATED BLUE TEMPERED GLASS
③	1" INSULATED BLUE SPANDREL GLASS
④	1/4" TEMPERED GREY GLASS
⑤	1/4" BLUE TEMPERED GLASS

ARCHITECT NAME AND LOCATION:  
WAKEFIELD, BEASLEY & ASSOCIATES  
5155 PEACHTREE PARKWAY  
BUILDING 300, SUITE 3220  
NORCROSS, GEORGIA 30092

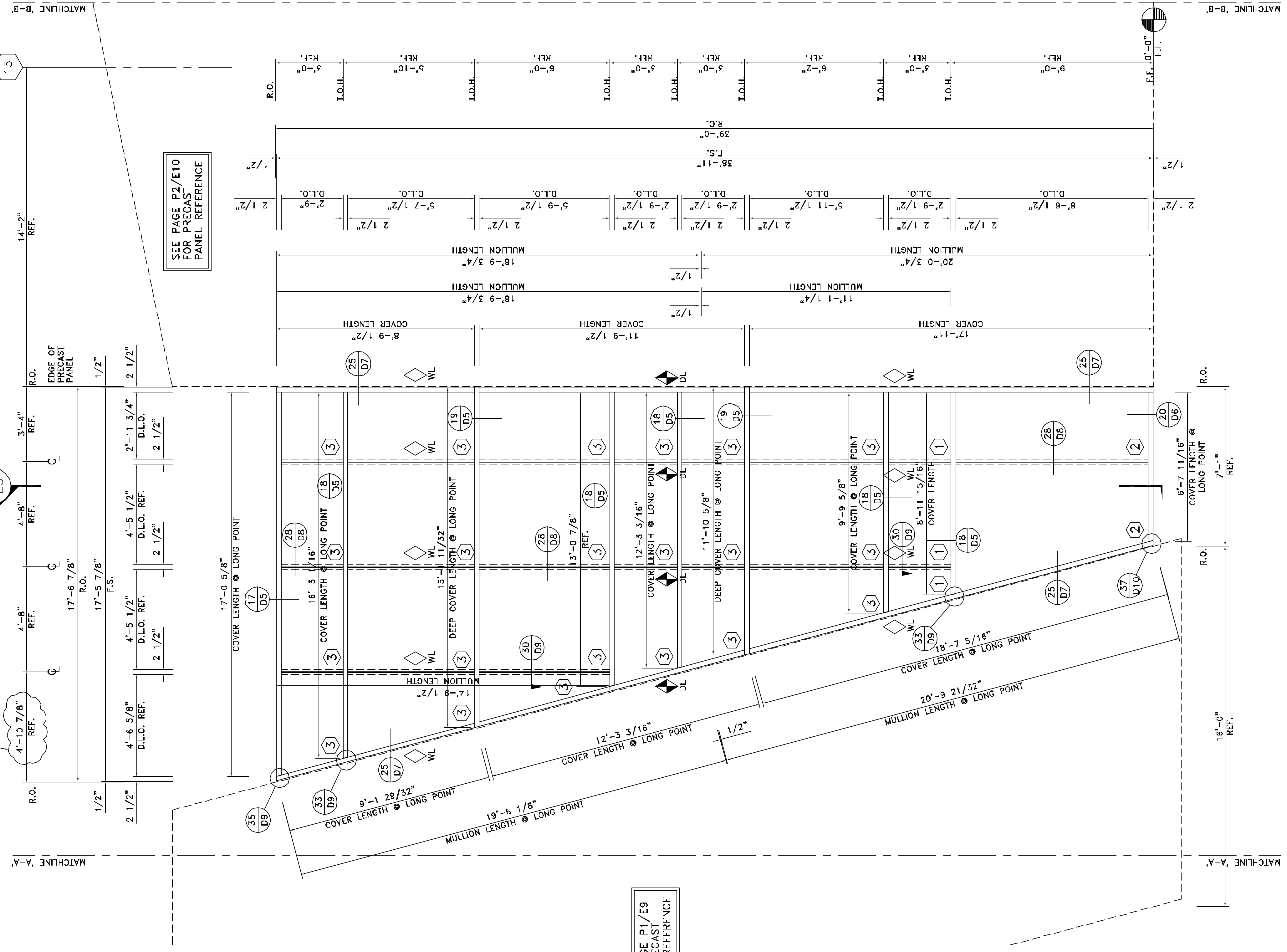
CUSTOMER NAME AND LOCATION:  
PANATTONI CONSTRUCTION, LLC.  
ATLANTA, GEORGIA

PROJECT NAME AND LOCATION:  
KUMHO TIRE  
1240 HIGHWAY 155 SOUTH  
LAND LOT 222, 7TH DISTRICT  
HENRY COUNTY, GEORGIA

DESCRIPTION: ELEVATIONS	
SCALE: 3/8"=1'-0"	ISSUE DATE: 09/20/06
DRAWN BY: BKB	SHEET NO.:
CHECKED BY: BKB	<b>E1</b>



ARCH./G.C. NOTE:  
THIS DIMENSION DEVIATES  
FROM ARCHITECTURAL  
DOCUMENTS 1/A3.2.1,  
BUT, IS REQUIRED TO  
MAINTAIN DIMENSIONS  
GIVEN PER PRECAST  
DRAWING PAGE 101.



SEE PAGE P1/E9  
FOR PRECAST  
PANEL REFERENCE

SEE PAGE P2/E10  
FOR PRECAST  
PANEL REFERENCE

GLASS LEGEND	
①	1" INSULATED BLUE GLASS
②	1" INSULATED BLUE TEMPERED GLASS
③	1" INSULATED BLUE SPANDREL GLASS
④	1/4" TEMPERED GREY GLASS
⑤	1/4" BLUE TEMPERED GLASS

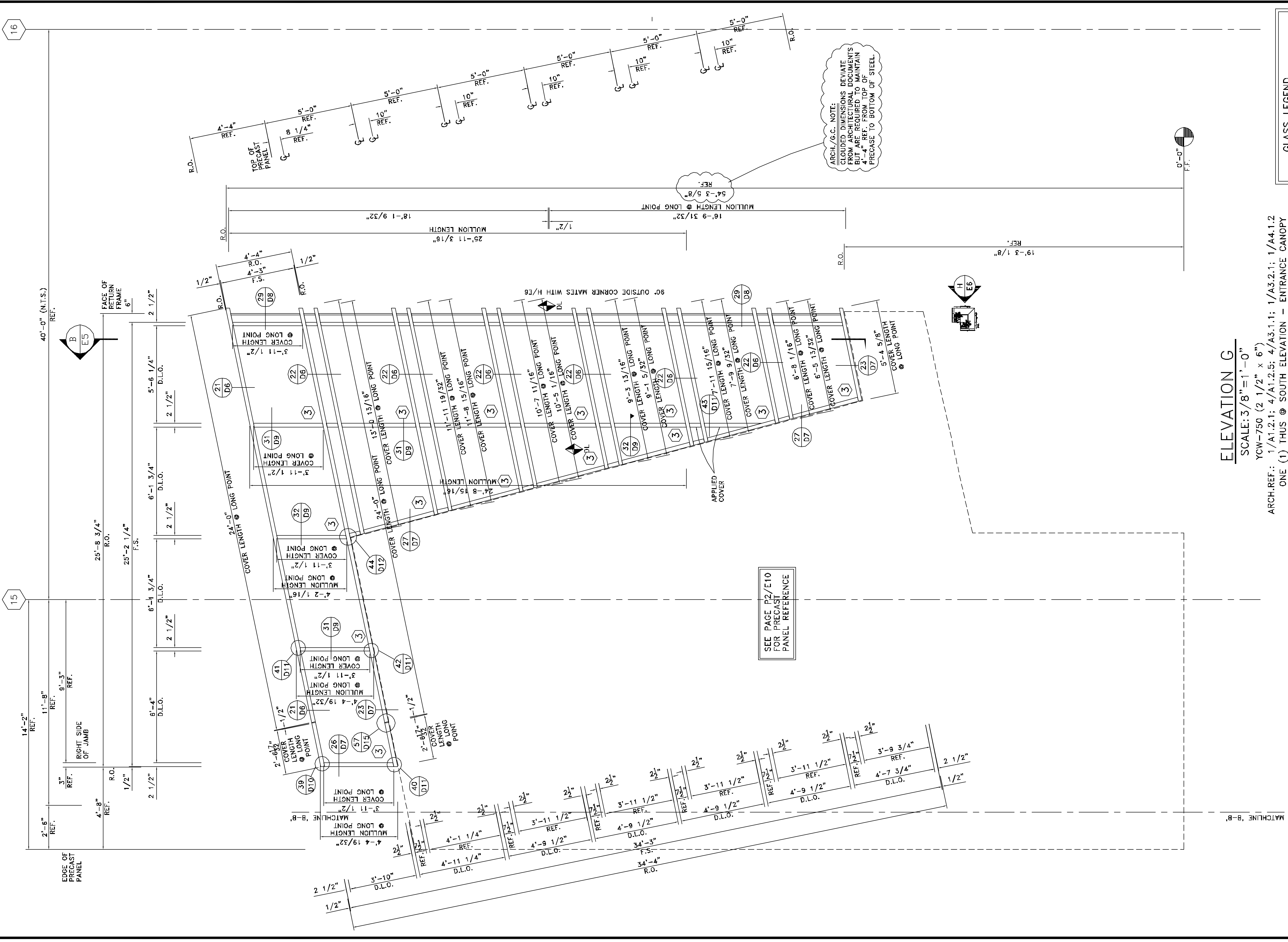
**ELEVATION D**  
SCALE: 3/8" = 1'-0"

YCW-750 (2 1/2" x 6")  
ARCH. REF.: 1/A1.2.1; 1/A1.2.5; 4/A3.1.1; 1/A3.2.1; 1/A4.1.2;  
ONE (1) THUS @ SOUTH ELEVATION - FIRST FLOOR

PROJECT NAME AND LOCATION: KUMHO TIRE 1240 HIGHWAY 155 SOUTH LAND LOT 222, 7TH DISTRICT HENRY COUNTY, GEORGIA		CUSTOMER NAME AND LOCATION: PANATTONI CONSTRUCTION, LLC. ATLANTA, GEORGIA		ARCHITECT NAME AND LOCATION: WAKEFIELD, BEASLEY & ASSOCIATES 5155 PEACHTREE PARKWAY BUILDING 300, SUITE 3220 NORCROSS, GEORGIA 30092	
DESCRIPTION: ELEVATIONS		ISSUE DATE: 09/20/06		NO.	
SCALE: 3/8" = 1'-0"		ISSUE DATE: 09/20/06		REVISION	
DRAWN BY: BKB		SHEET NO.:		ISSUE DATE	
CHECKED BY: BKB		E3		BY	
				CRD	



Storefront Systems, Inc.  
9170 Old Atlanta Highway, NW  
Covington, GA 30014  
770.784.1555  
770.385.8010 Fax



**GLASS LEGEND**

1	1" INSULATED BLUE GLASS
2	1" INSULATED BLUE TEMPERED GLASS
3	1" INSULATED BLUE SPANDREL GLASS
4	1/4" TEMPERED GREY GLASS
5	1/4" BLUE TEMPERED GLASS

**ELEVATION G**  
 SCALE: 3/8" = 1'-0"  
 YCW-750 (2 1/2" x 6")  
 ARCH. REF.: 1/A1.2.1; 4/A1.2.5; 4/A3.1.1; 1/A3.2.1; 1/A4.1.2  
 ONE (1) THUS @ SOUTH ELEVATION - ENTRANCE CANOPY

SEE PAGE P2/E10 FOR PRECAST PANEL REFERENCE

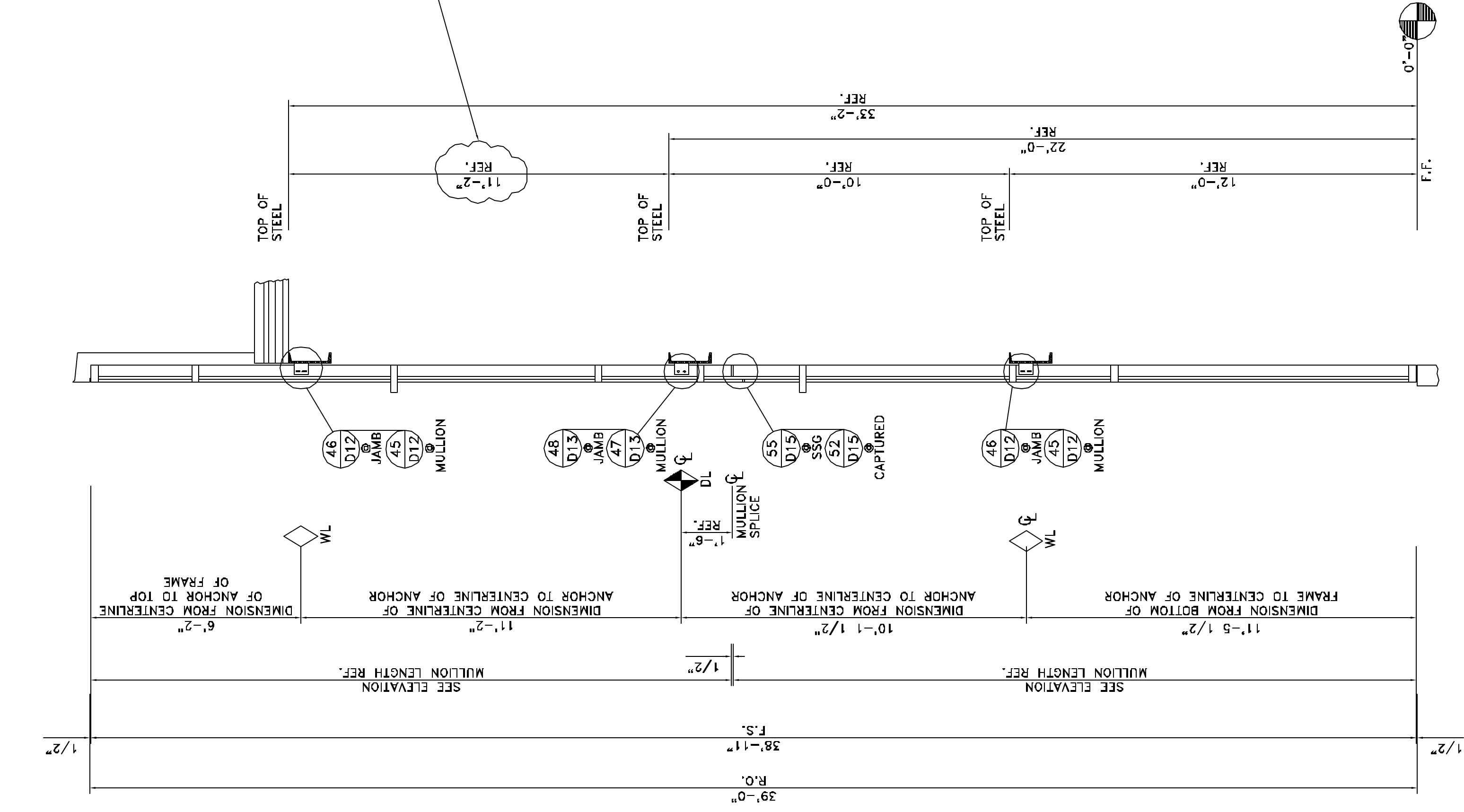
ARCH./G.C. NOTE:  
 CLOUDED DIMENSIONS DEViate FROM ARCHITECTURAL DOCUMENTS BUT ARE REQUIRED TO MAINTAIN 4'-4" REF. FROM TOP OF PRECAST TO BOTTOM OF STEEL.

PROJECT NAME AND LOCATION: KUMHO TIRE 1240 HIGHWAY 155 SOUTH LAND LOT 222, 7TH DISTRICT HENRY COUNTY, GEORGIA		CUSTOMER NAME AND LOCATION: PANATTONI CONSTRUCTION, LLC. ATLANTA, GEORGIA		ARCHITECT NAME AND LOCATION: WAKEFIELD, BEASLEY & ASSOCIATES 5155 PEACHTREE PARKWAY BUILDING 300, SUITE 3220 NORCROSS, GEORGIA 30092	
DESCRIPTION: ELEVATIONS		ISSUE DATE: 09/20/06		ISSUE NO.:	
SCALE: 3/8" = 1'-0"		DRAWN BY: BKB		CHECKED BY: BKB	
SHEET NO.:		E4		NO.	
REVISION		NO.		ISSUE DATE	
BY		BY		BY	
DATE		DATE		DATE	
NO.		NO.		NO.	

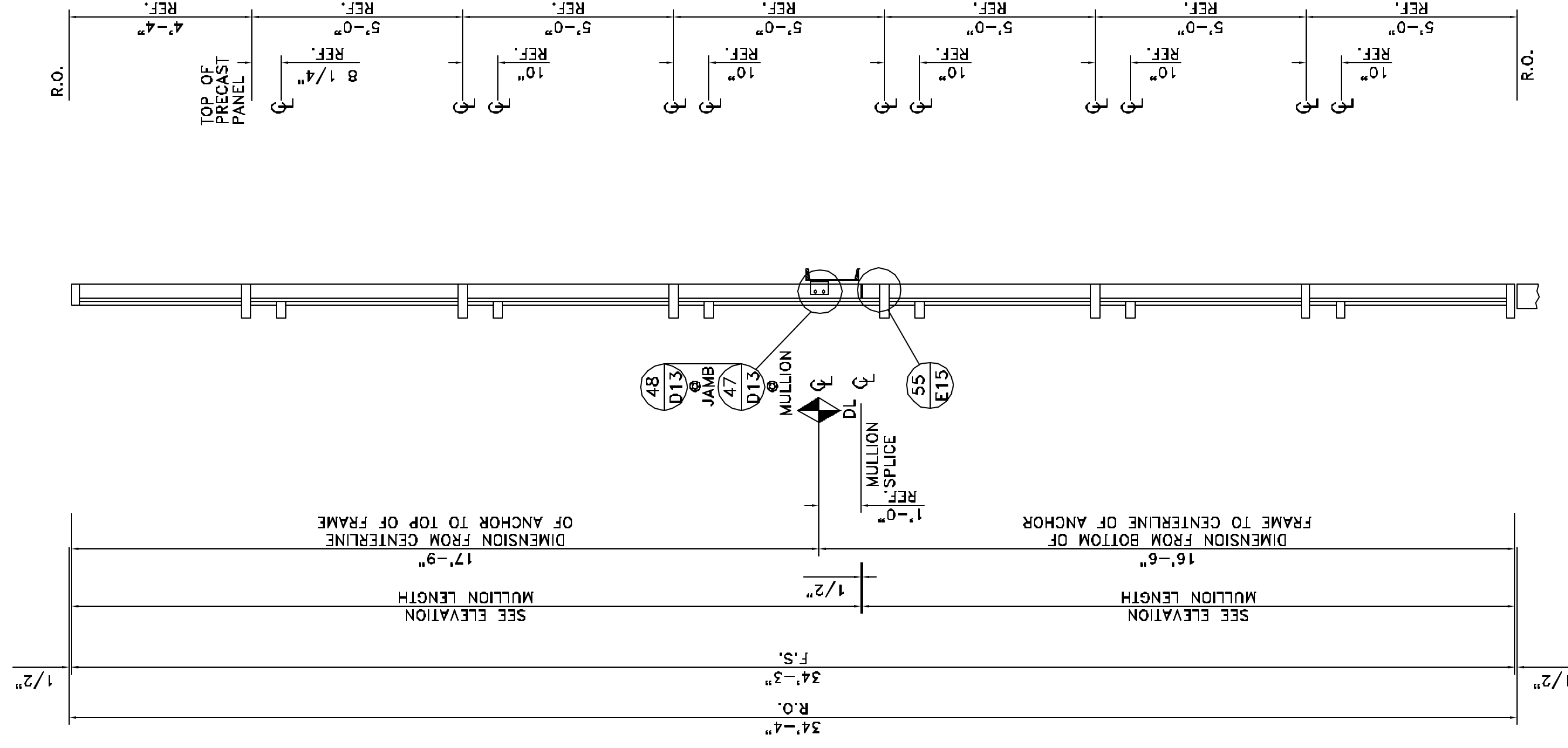


Storefront Systems, Inc.  
 9170 Old Atlanta Highway, NW  
 Covington, GA 30014  
 770.784.1555  
 770.385.8010 Fax





**SECTION A**  
SCALE=3/8"=1'-0"  
ARCH. REF.:1/A4.1.2



**SECTION B**  
SCALE=3/8"=1'-0"  
ARCH. REF.:2/A4.1.2

DESCRIPTION: ELEVATIONS	
SCALE: 3/8"=1'-0"	ISSUE DATE: 06/20/2018
DRAWN BY: BKB	SHEET NO.:
CHECKED BY: BKB	<b>E5</b>

PROJECT NAME AND LOCATION: KUMHO TIRE 1240 HIGHWAY 155 SOUTH LAND LOT 222, 7TH DISTRICT HENRY COUNTY, GEORGIA
---

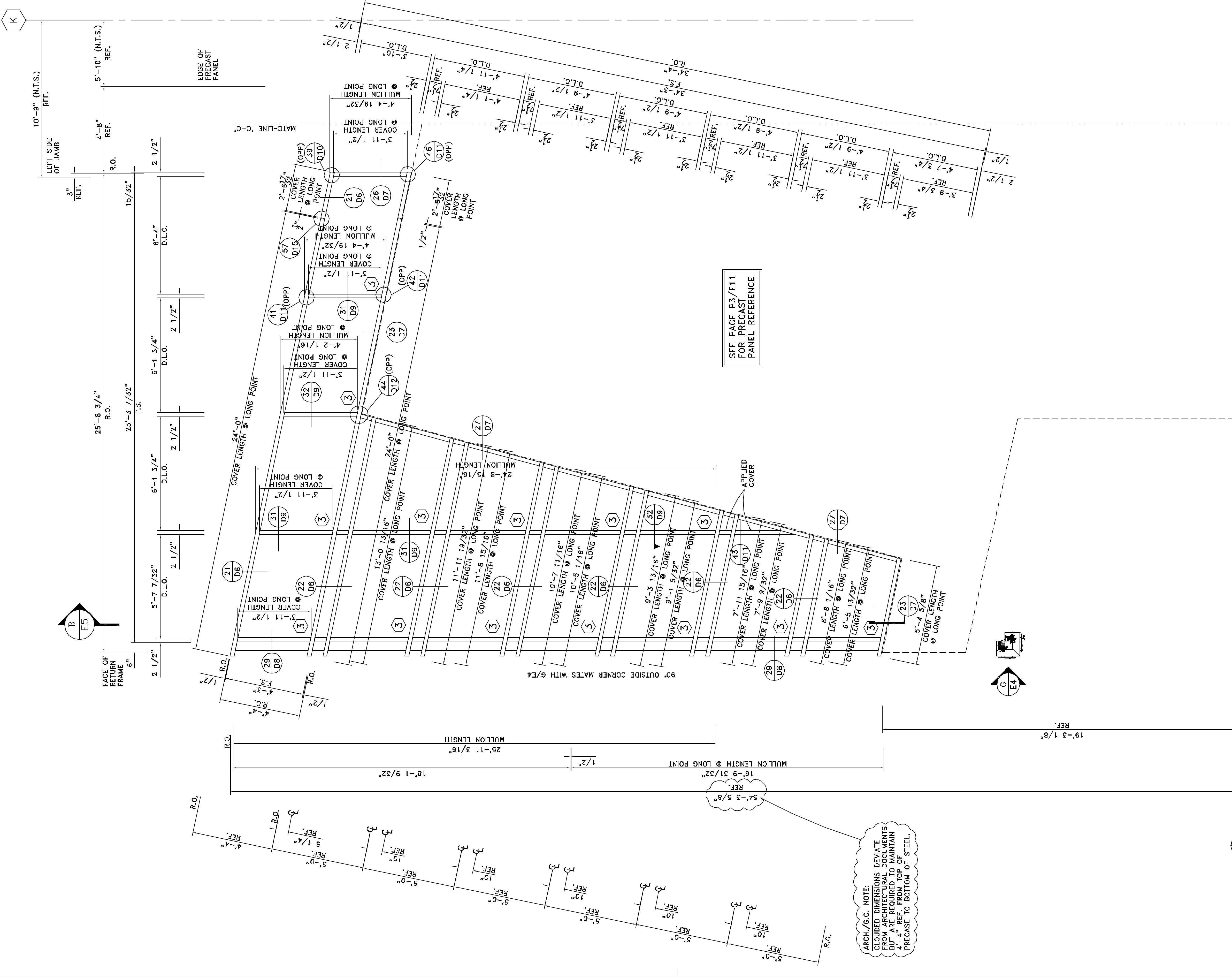
CUSTOMER NAME AND LOCATION: PANATTONI CONSTRUCTION, LLC. ATLANTA, GEORGIA
---

ARCHITECT NAME AND LOCATION: WAKEFIELD, BEASLEY & ASSOCIATES 5155 PEACHTREE PARKWAY BUILDING 300, SUITE 3220 NORCROSS, GEORGIA 30092
--

NO.	REVISION	ISSUE DATE	BY	CHK BY



Storefront Systems, Inc.  
9170 Old Atlanta Highway, NW  
Covington, GA 30014  
770.784.1555  
770.385.8010 Fax



SEE PAGE P3/E11 FOR PRECAST PANEL REFERENCE

ARCH./G.C. NOTE:  
CLOUED DIMENSIONS DEVIATE FROM ARCHITECTURAL DOCUMENTS BUT ARE REQUIRED TO MAINTAIN 1/4" REF. FROM TOP OF PRECAST TO BOTTOM OF STEEL.

**ELEVATION H**

SCALE: 3/8" = 1'-0"  
YCW-750 (2 1/2" x 6")  
ARCH. REF.: 1/A1.2.1; 5/A1.2.5; 1/A3.1.1; 3/A3.2.1; 4/A4.1.2  
ONE (1) THUS @ EAST ELEVATION - ENTRANCE CANOPY

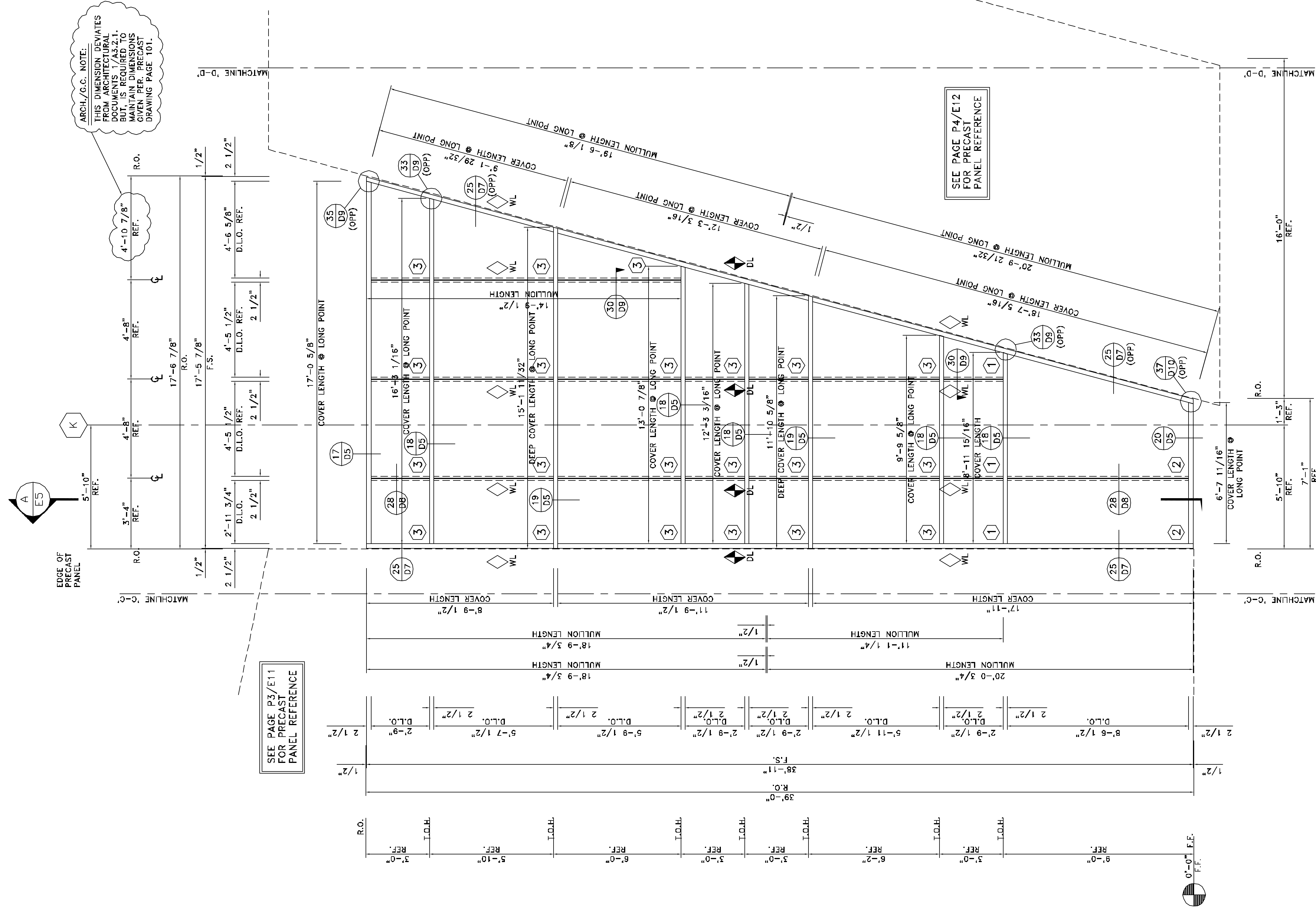
**GLASS LEGEND**

①	1" INSULATED BLUE GLASS
②	1" INSULATED BLUE TEMPERED GLASS
③	1" INSULATED BLUE SPANDREL GLASS
④	1/4" TEMPERED GREY GLASS
⑤	1/4" BLUE TEMPERED GLASS

PROJECT NAME AND LOCATION:	KUMHO TIRE 1240 HIGHWAY 155 SOUTH LAND LOT 222, 7TH DISTRICT HENRY COUNTY, GEORGIA	CUSTOMER NAME AND LOCATION:	PANATTONI CONSTRUCTION, LLC. ATLANTA, GEORGIA	ARCHITECT NAME AND LOCATION:	WAKEFIELD, BEASLEY & ASSOCIATES 5155 PEACHTREE PARKWAY BUILDING 300, SUITE 3220 NORCROSS, GEORGIA 30092
DESCRIPTION:	ELEVATIONS	NO.		REVISION	
SCALE:	3/8" = 1'-0"	ISSUE DATE:	09/20/2009	BY:	
DRAWN BY:	BKB	SHEET NO.:	E6	DATE:	
CHECKED BY:	BKB				



Storefront Systems, Inc.  
9170 Old Atlanta Highway, NW  
Covington, GA 30014  
770.784.1555  
770.385.8010 Fax



ARCH./G.C. NOTE:  
THIS DIMENSION DEVIATES FROM ARCHITECTURAL DOCUMENTS 1/A3.2.1, BUT, IS REQUIRED TO MAINTAIN DIMENSIONS PER PRECAST DRAWING PAGE 101.

SEE PAGE P3/E11 FOR PRECAST PANEL REFERENCE

SEE PAGE P4/E12 FOR PRECAST PANEL REFERENCE

**ELEVATION E**

SCALE: 3/8" = 1'-0"

YCW-750 (2 1/2" x 6")

ARCH-REF: 1/A1.2.1; 2/A1.2.5; 1/A3.1.1; 3/A3.2.1; 1/A4.1.2

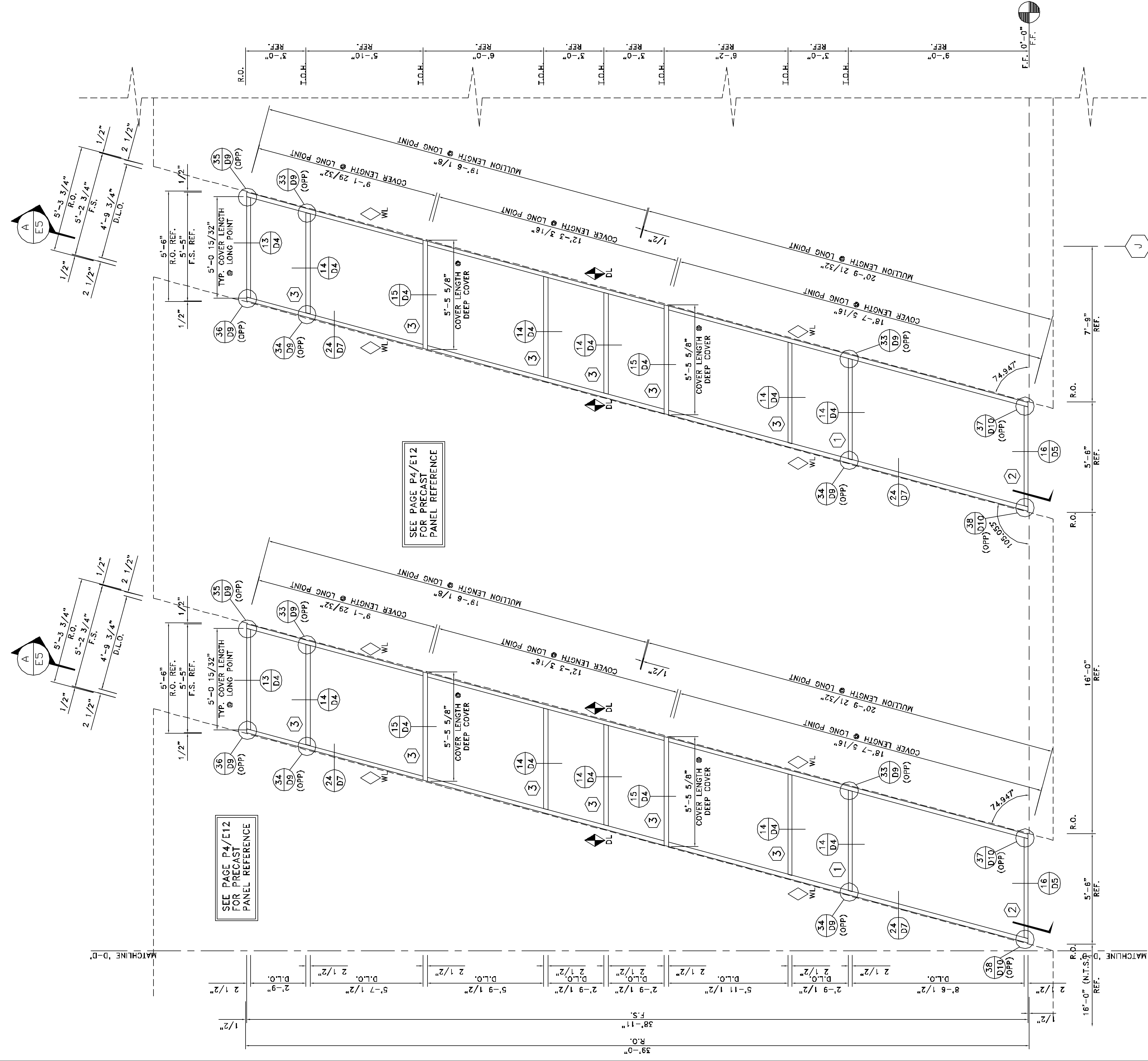
ONE (1) THUS @ EAST ELEVATION - FIRST FLOOR

GLASS LEGEND	
1	1" INSULATED BLUE GLASS
2	1" INSULATED BLUE TEMPERED GLASS
3	1" INSULATED BLUE SPANDREL GLASS
4	1/4" TEMPERED GREY GLASS
5	1/4" BLUE TEMPERED GLASS

PROJECT NAME AND LOCATION: KUMHO TIRE 1240 HIGHWAY 155 SOUTH LAND LOT 222, 7TH DISTRICT HENRY COUNTY, GEORGIA		CUSTOMER NAME AND LOCATION: PANATTONI CONSTRUCTION, LLC. ATLANTA, GEORGIA		ARCHITECT NAME AND LOCATION: WAKEFIELD, BEASLEY & ASSOCIATES 5155 PEACHTREE PARKWAY BUILDING 300, SUITE 3220 NORCROSS, GEORGIA 30092	
DESCRIPTION: ELEVATIONS		ISSUE DATE: 09/20/06		NO.	
SCALE: 3/8" = 1'-0"		ISSUE DATE: 09/20/06		NO.	
DRAWN BY: BKB		SHEET NO.:		NO.	
CHECKED BY: BKB		E7		NO.	
REVISION		NO.		NO.	
ISSUE DATE		NO.		NO.	
BY		NO.		NO.	
C/D		NO.		NO.	



Storefront Systems, Inc.  
9170 Old Atlanta Highway, NW  
Covington, GA 30014  
770.784.1555  
770.385.8010 Fax



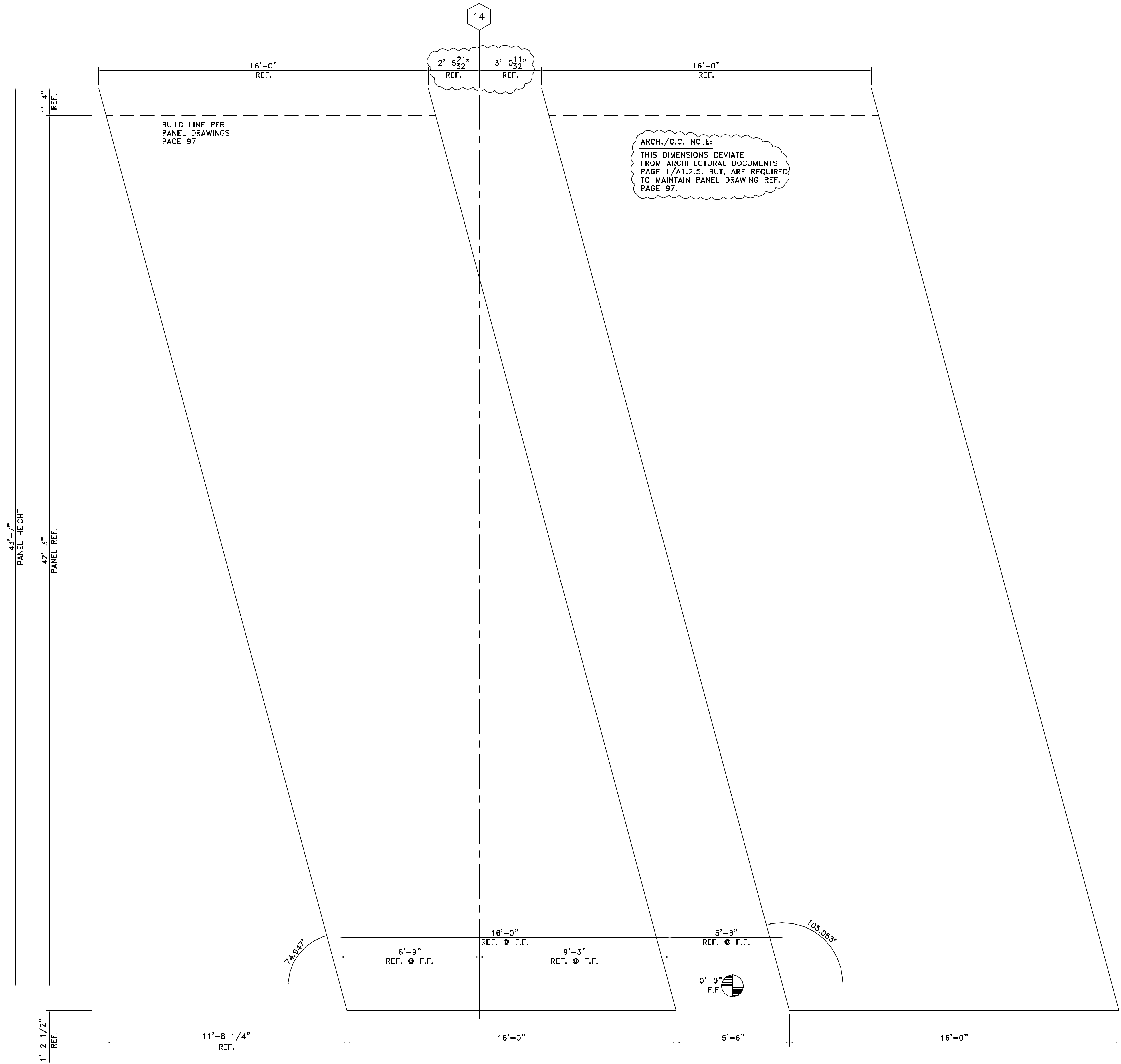
**GLASS LEGEND**

1	1" INSULATED BLUE GLASS
2	1" INSULATED BLUE TEMPERED GLASS
3	1" INSULATED BLUE SPANDREL GLASS
4	1/4" TEMPERED GREY GLASS
5	1/4" BLUE TEMPERED GLASS

PROJECT NAME AND LOCATION:		KUMHO TIRE 1240 HIGHWAY 155 SOUTH LAND LOT 222, 7TH DISTRICT HENRY COUNTY, GEORGIA	
CUSTOMER NAME AND LOCATION:		PANATTONI CONSTRUCTION, LLC. ATLANTA, GEORGIA	
ARCHITECT NAME AND LOCATION:		WAKEFIELD, BEASLEY & ASSOCIATES 5155 PEACHTREE PARKWAY BUILDING 300, SUITE 3220 NORCROSS, GEORGIA 30092	
DESCRIPTION:	ELEVATIONS	SCALE:	ISSUE DATE:
		3/8" = 1'-0"	09/20/09
DRAWN BY:	BKB	CHECKED BY:	BKB
SHEET NO.:		E8	
PROJECT NO.:		NO.	
REVISION:		NO.	
ISSUE DATE:		BY:	
BY:		BY:	
NO.		NO.	



Storefront Systems, Inc.  
9170 Old Atlanta Highway, NW  
Covington, GA 30014  
770.784.1555  
770.385.8010 Fax



**PANEL P1**  
 SCALE: 3/8" = 1'-0"  
 PANEL REFERENCE DRAWINGS  
 ARCH. REF.: 1/A1.2.5; 97; 100; 101



Storefront Systems, Inc.  
 9170 Old Atlanta Highway, NW  
 Covington, GA 30014  
 770.784.1555  
 770.385.8010 Fax

NO.	REVISION	ISSUE DATE	BY	CHKD BY

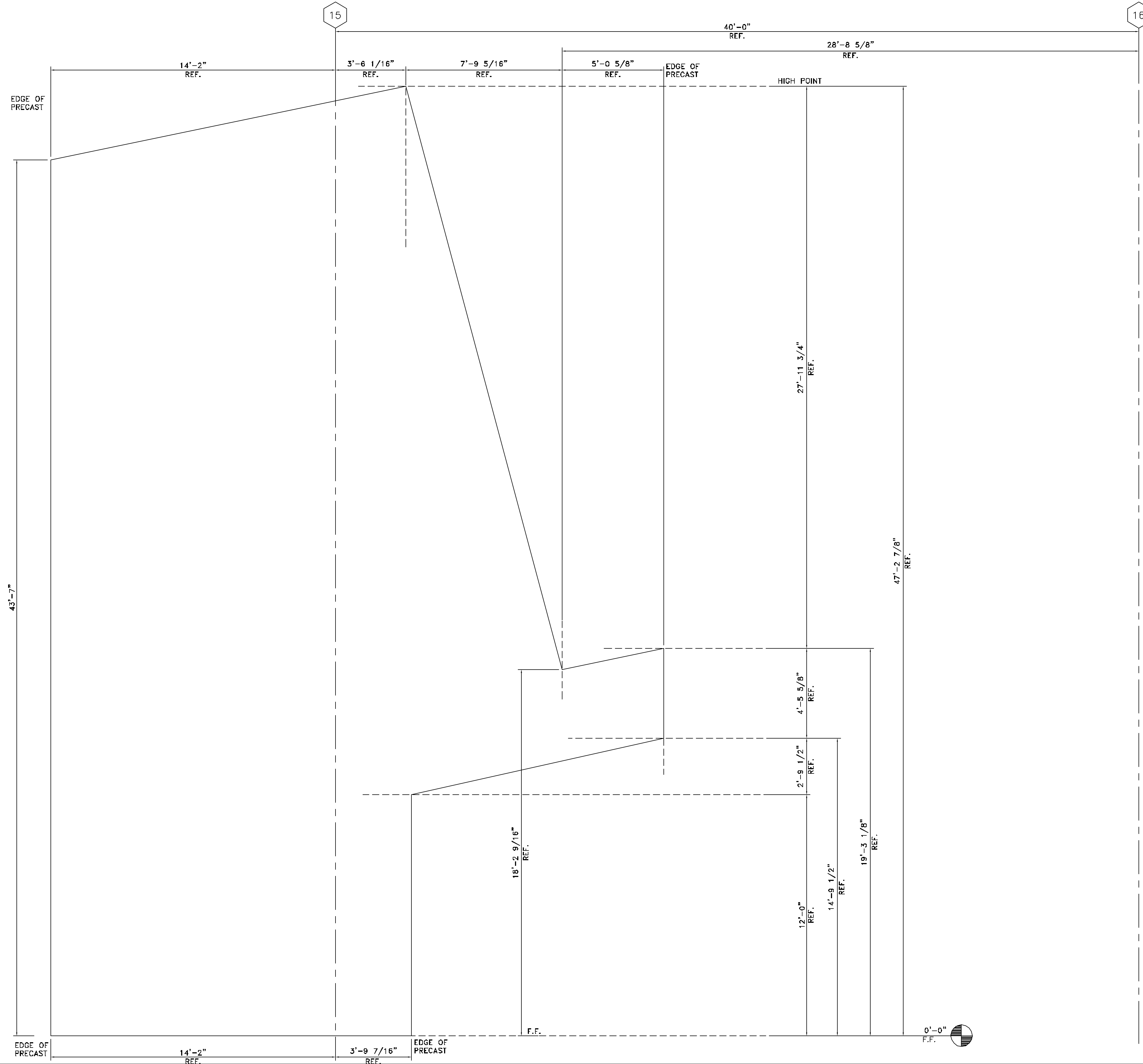
ARCHITECT NAME AND LOCATION:  
 WAKEFIELD, BEASLEY & ASSOCIATES  
 5155 PEACHTREE PARKWAY  
 BUILDING 300, SUITE 3220  
 NORCROSS, GEORGIA 30092

CUSTOMER NAME AND LOCATION:  
 PANATTONI CONSTRUCTION, LLC.  
 ATLANTA, GEORGIA

PROJECT NAME AND LOCATION:  
 KUMHO TIRE  
 1240 HIGHWAY 155 SOUTH  
 LAND LOT 222, 7TH DISTRICT  
 HENRY COUNTY, GEORGIA

DESCRIPTION: ELEVATIONS	
SCALE: 3/8" = 1'-0"	ISSUE DATE: 09/20/06
DRAWN BY: BKB	SHEET NO.:
CHECKED BY: BKB	<b>E9</b>

E:\DWG\SSA\KUMHO TIRE\KUMHO-ES



**PANEL P2**  
 SCALE: 3/8" = 1'-0"  
 PANEL REFERENCE DRAWINGS  
 ARCH. REF.: 1/A3.2.1; 99;



Storefront Systems, Inc.  
 9170 Old Atlanta Highway, NW  
 Covington, GA 30014  
 770.784.1555  
 770.385.8010 Fax

NO.	REVISION	ISSUE DATE	BY	CHKD BY

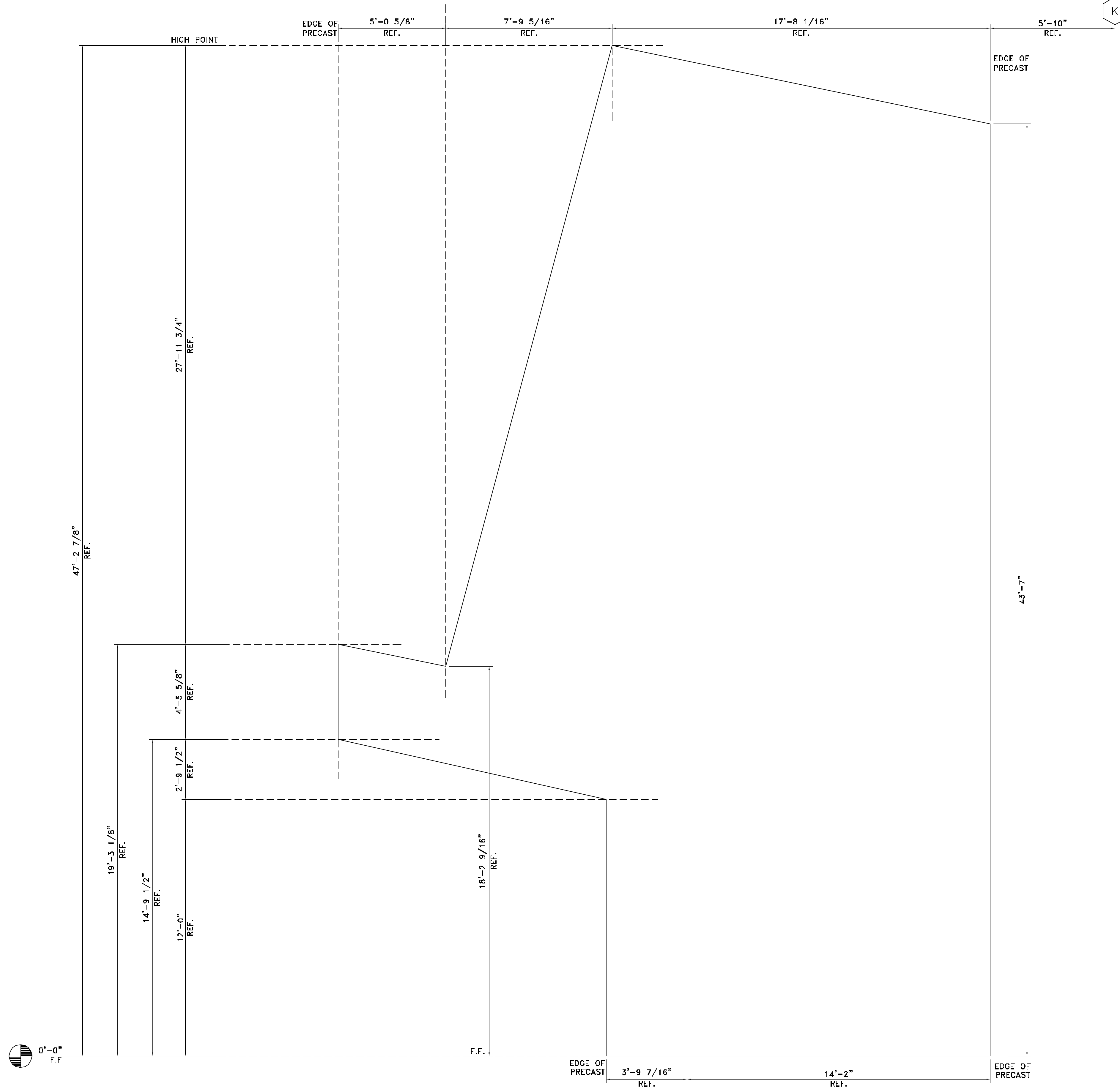
ARCHITECT NAME AND LOCATION:  
 WAKEFIELD, BEASLEY & ASSOCIATES  
 5155 PEACHTREE PARKWAY  
 BUILDING 300, SUITE 3220  
 NORCROSS, GEORGIA 30092

CUSTOMER NAME AND LOCATION:  
 PANATTONI CONSTRUCTION, LLC.  
 ATLANTA, GEORGIA

PROJECT NAME AND LOCATION:  
 KUMHO TIRE  
 1240 HIGHWAY 155 SOUTH  
 LAND LOT 222, 7TH DISTRICT  
 HENRY COUNTY, GEORGIA

DESCRIPTION:	
ELEVATIONS	
SCALE: 3/8" = 1'-0"	ISSUE DATE: 09/20/06
DRAWN BY: BKB	SHEET NO.:
CHECKED BY: BKB	E10

E:\DWG\SSA\KUMHO TIRE\KUMHO-E10



**PANEL P3**  
 SCALE: 3/8" = 1'-0"  
 PANEL REFERENCE DRAWINGS  
 ARCH. REF.: 2/A3.2.1; 99;



Storefront Systems, Inc.  
 9170 Old Atlanta Highway, NW  
 Covington, GA 30014  
 770.784.1555  
 770.385.8010 Fax

NO.	REVISION	ISSUE DATE	BY	CHKD BY

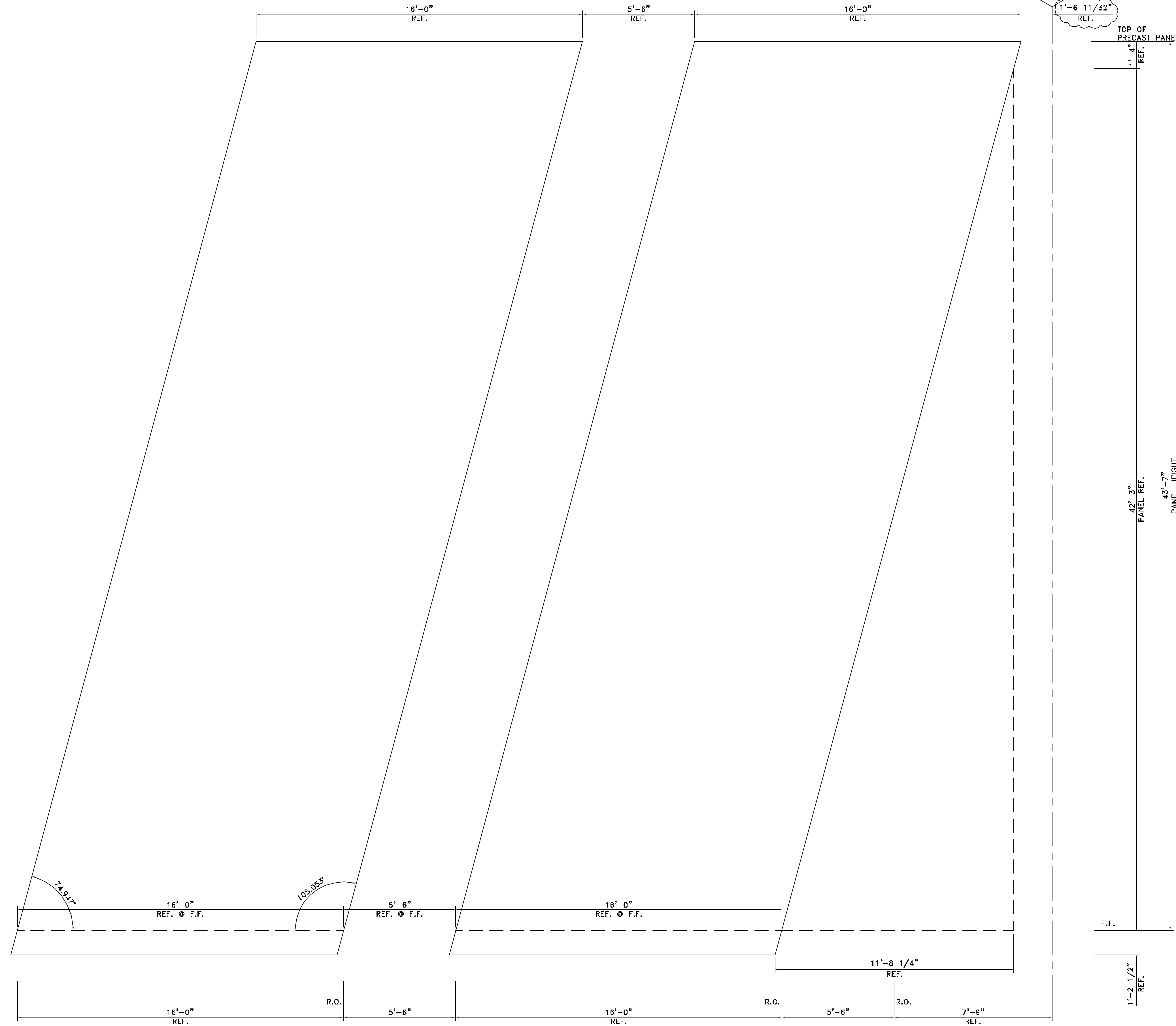
ARCHITECT NAME AND LOCATION:  
 WAKEFIELD, BEASLEY & ASSOCIATES  
 5155 PEACHTREE PARKWAY  
 BUILDING 300, SUITE 3220  
 NORCROSS, GEORGIA 30092

CUSTOMER NAME AND LOCATION:  
 PANATTONI CONSTRUCTION, LLC.  
 ATLANTA, GEORGIA

PROJECT NAME AND LOCATION:  
 KUMHO TIRE  
 1240 HIGHWAY 155 SOUTH  
 LAND LOT 222, 7TH DISTRICT  
 HENRY COUNTY, GEORGIA

DESCRIPTION: ELEVATIONS	
SCALE: 3/8" = 1'-0"	ISSUE DATE: 09/20/06
DRAWN BY: BKB	SHEET NO.:
CHECKED BY: BKB	<b>E11</b>

E:\DWG\SSA\KUMHO TIRE\KUMHO-E11



**PANEL P4**  
 SCALE: 3/8" = 1'-0"  
 PANEL REFERENCE DRAWINGS  
 ARCH. REF.: 2/A3.2.1; 97; 100; 101



Storefront Systems, Inc.  
 9170 Old Atlanta Highway, NW  
 Covington, GA 30014  
 770.784.1555  
 770.385.8010 Fax

NO.	REVISION	ISSUE DATE	BY	CHKD BY

ARCHITECT NAME AND LOCATION:  
 WAKEFIELD, BEASLEY & ASSOCIATES  
 5155 PEACHTREE PARKWAY  
 BUILDING 300, SUITE 3220  
 NORCROSS, GEORGIA 30092

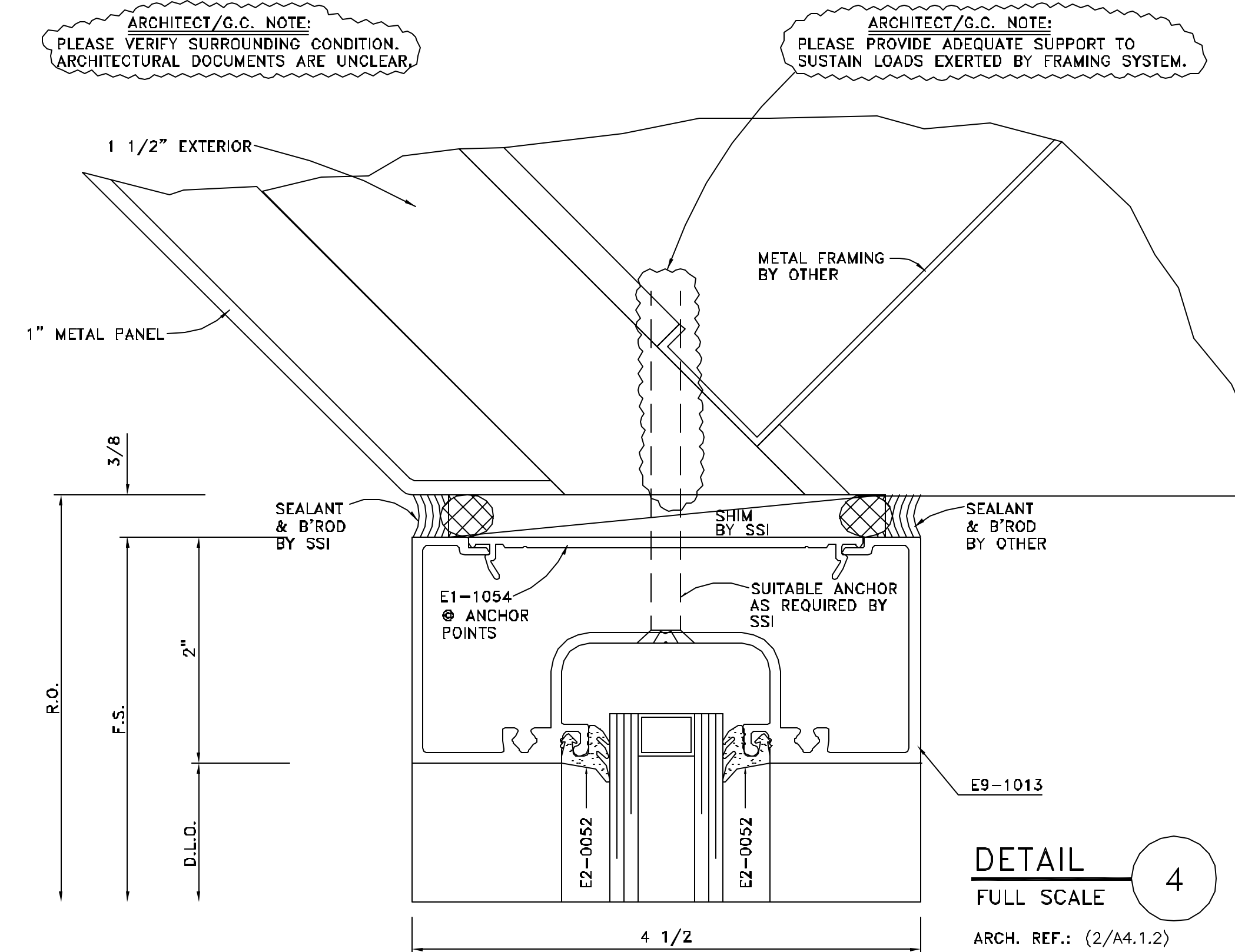
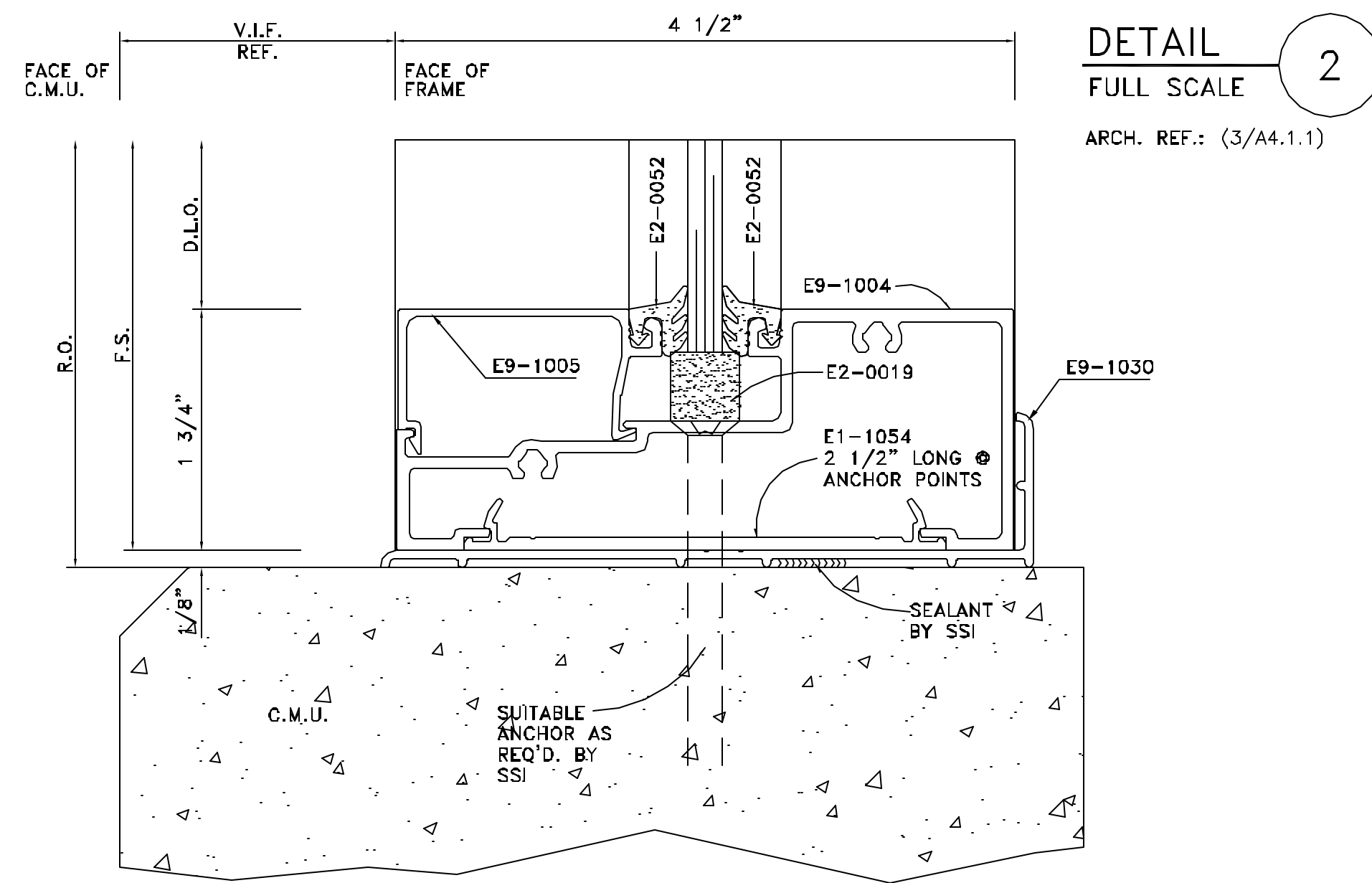
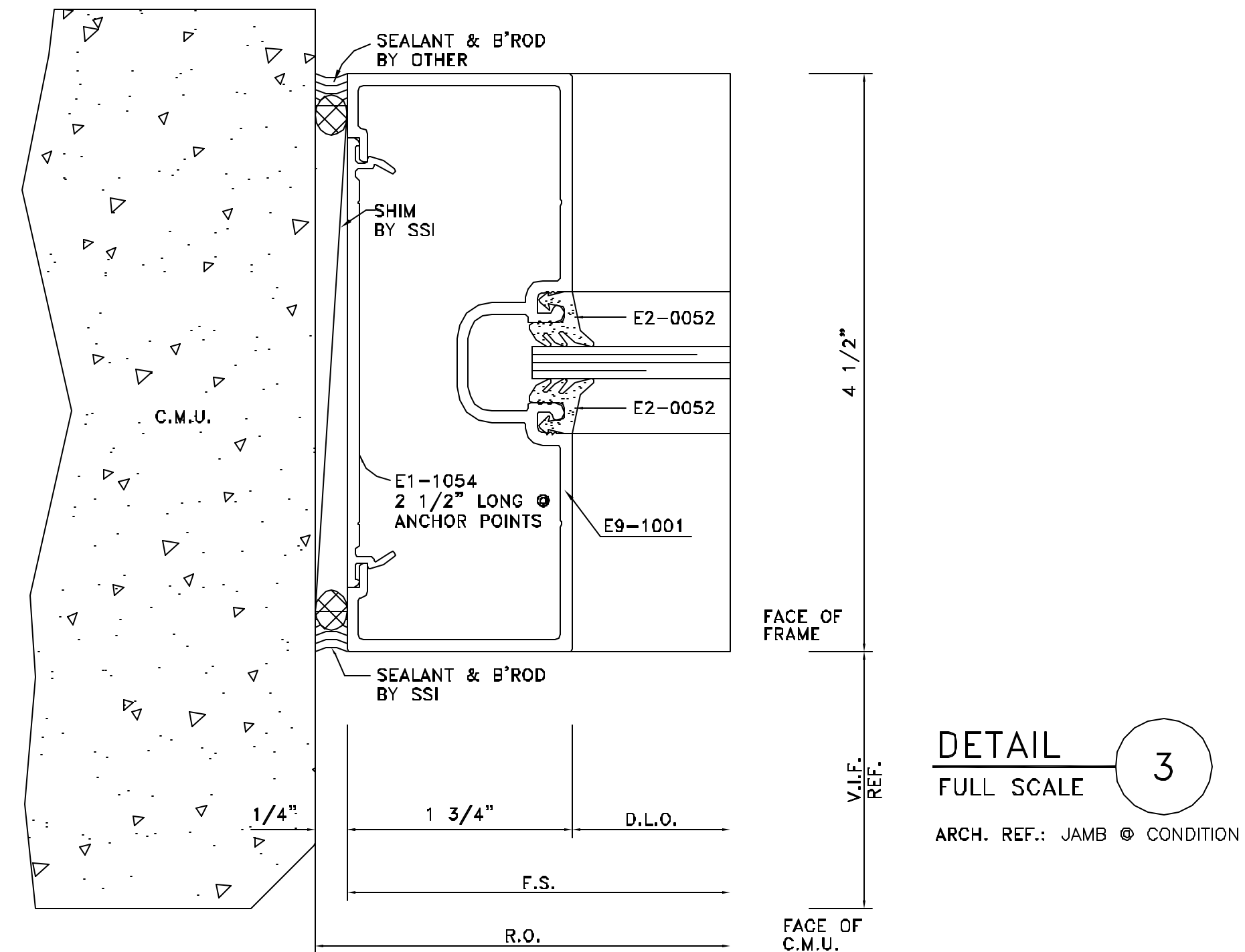
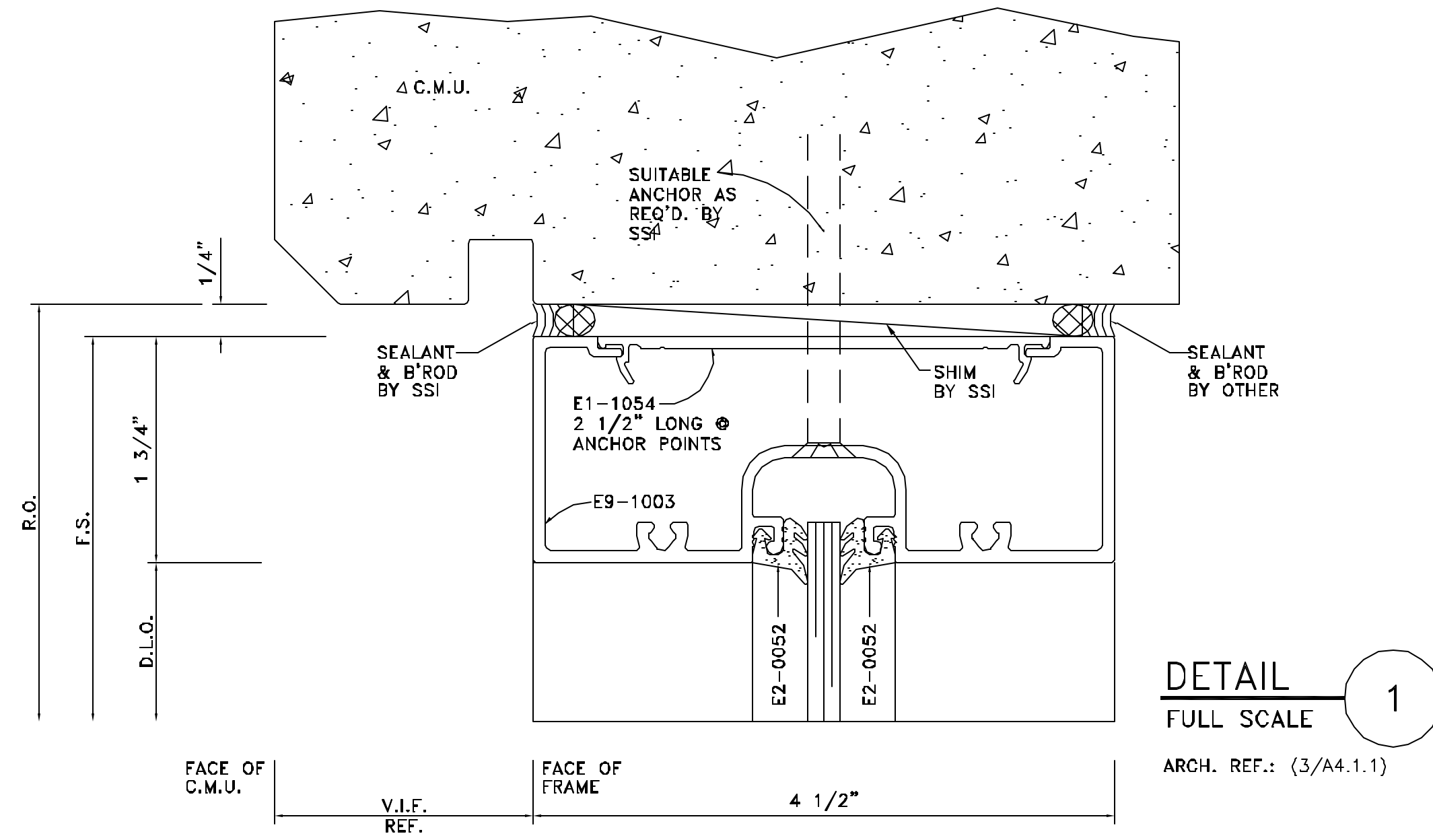
CUSTOMER NAME AND LOCATION:  
 PANATTONI CONSTRUCTION, LLC.  
 ATLANTA, GEORGIA

PROJECT NAME AND LOCATION:  
 KUMHO TIRE  
 1240 HIGHWAY 155 SOUTH  
 LAND LOT 222, 7TH DISTRICT  
 HENRY COUNTY, GEORGIA

DESCRIPTION:	ELEVATIONS
SCALE:	ISSUE DATE:
3/8" = 1'-0"	09/20/06
DRAWN BY:	SHEET NO.:
BKB	E12
CHECKED BY:	
BKB	

E:\DWG\SSA\KUMHO TIRE\KUMHO-E12





**SSi**

Storefront Systems, Inc.  
9170 Old Atlanta Highway, NW  
Covington, GA 30014  
770.784.1555  
770.385.8010 Fax

NO.	REVISION	ISSUE DATE	BY	CHKD BY

ARCHITECT NAME AND LOCATION:  
WAKEFIELD, BEASLEY & ASSOCIATES  
5155 PEACHTREE PARKWAY  
BUILDING 300, SUITE 3220  
NORCROSS, GEORGIA 30092

CUSTOMER NAME AND LOCATION:  
PANATTONI CONSTRUCTION, LLC.  
ATLANTA, GEORGIA

PROJECT NAME AND LOCATION:  
KUMHO TIRE  
1240 HIGHWAY 155 SOUTH  
LAND LOT 222, 7TH DISTRICT  
HENRY COUNTY, GEORGIA

DESCRIPTION:  
DETAILS

SCALE: FULL  
ISSUE DATE: 09/20/06

DRAWN BY: BKB  
SHEET NO.:

CHECKED BY: BKB  
D1

E:\DWG\SSA\KUMHO TIRE\KUMHO-D1

NO.	REVISION	ISSUE DATE	BY	CHKD BY

ARCHITECT NAME AND LOCATION:  
 WAKEFIELD, BEASLEY & ASSOCIATES  
 5155 PEACHTREE PARKWAY  
 BUILDING 300, SUITE 3220  
 NORCROSS, GEORGIA 30092

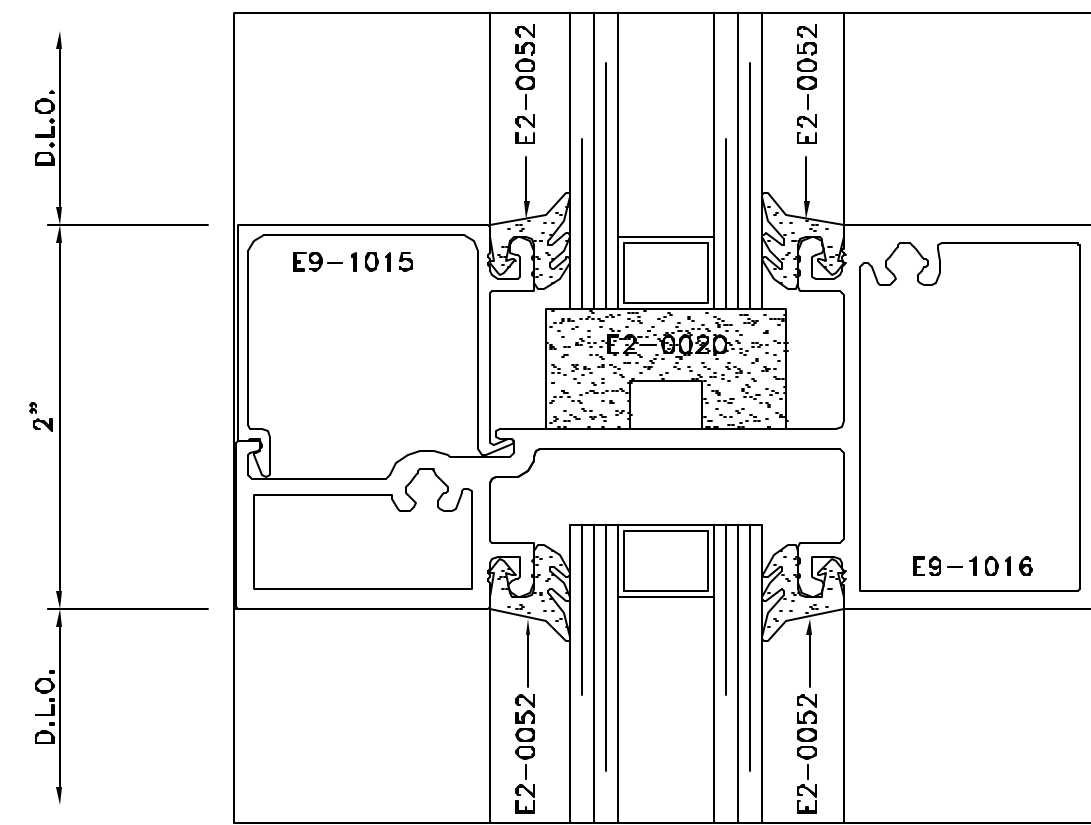
CUSTOMER NAME AND LOCATION:  
 PANATTONI CONSTRUCTION, LLC.  
 ATLANTA, GEORGIA

PROJECT NAME AND LOCATION:  
 KUMHO TIRE  
 1240 HIGHWAY 155 SOUTH  
 LAND LOT 222, 7TH DISTRICT  
 HENRY COUNTY, GEORGIA

DESCRIPTION:	
SCALE:	ISSUE DATE:
FULL	09/20/06
DRAWN BY:	SHEET NO.:
BKB	D2
CHECKED BY:	
BKB	

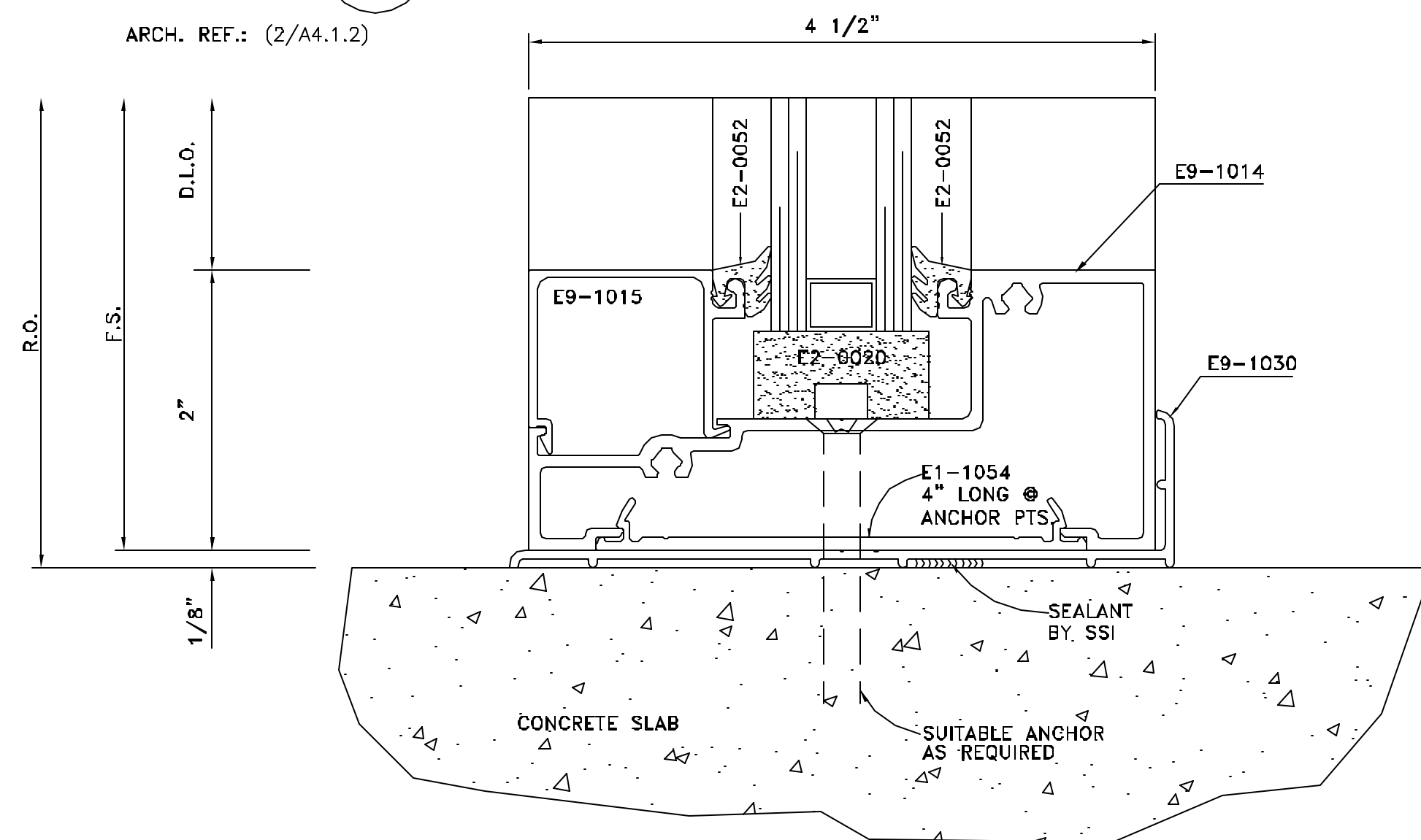
**DETAIL 5**  
 FULL SCALE

ARCH. REF.: HORIZONTAL (1"-1")

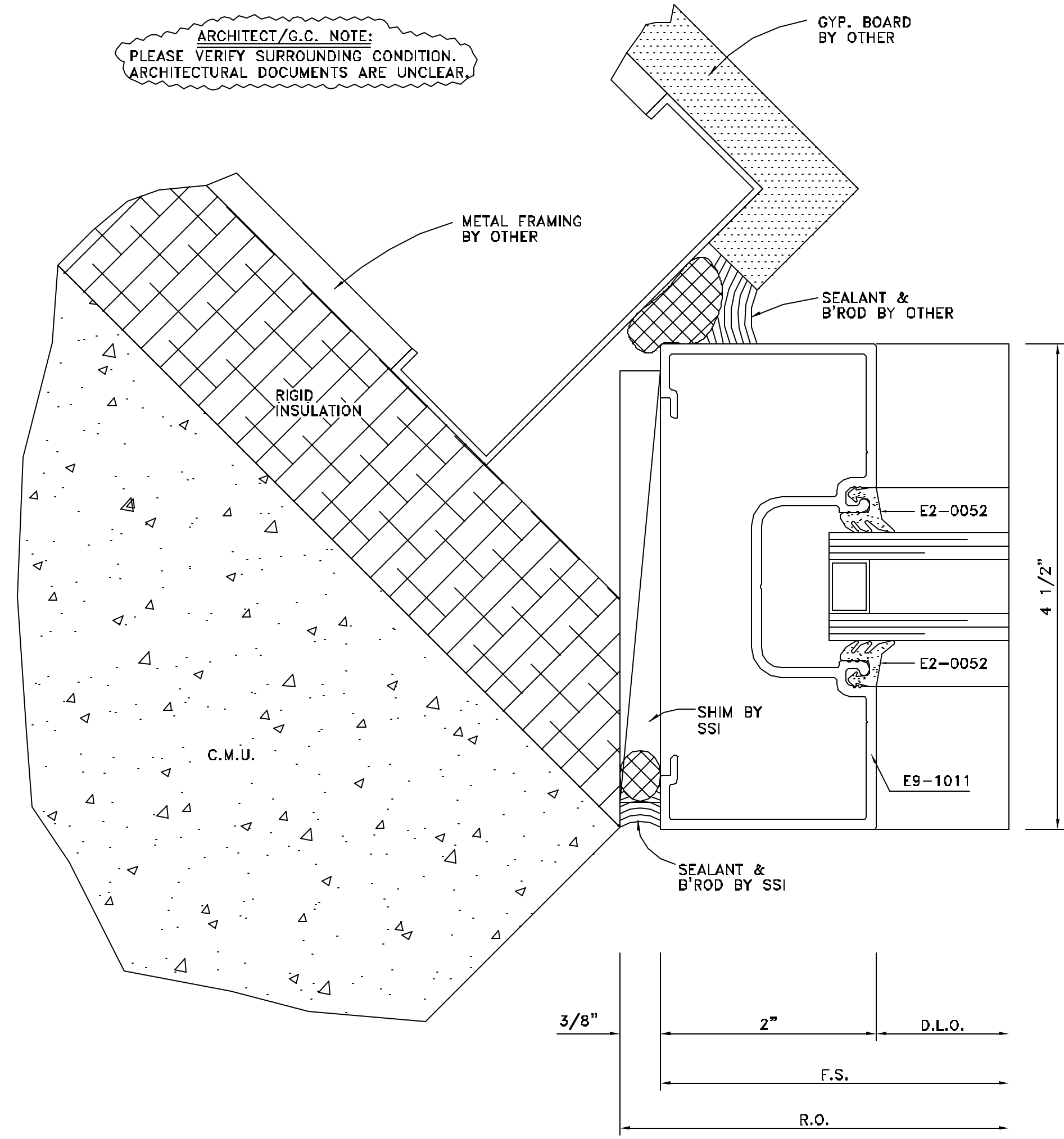


**DETAIL 6**  
 FULL SCALE

ARCH. REF.: (2/A4.1.2)



ARCHITECT/G.C. NOTE:  
 PLEASE VERIFY SURROUNDING CONDITION.  
 ARCHITECTURAL DOCUMENTS ARE UNCLEAR.

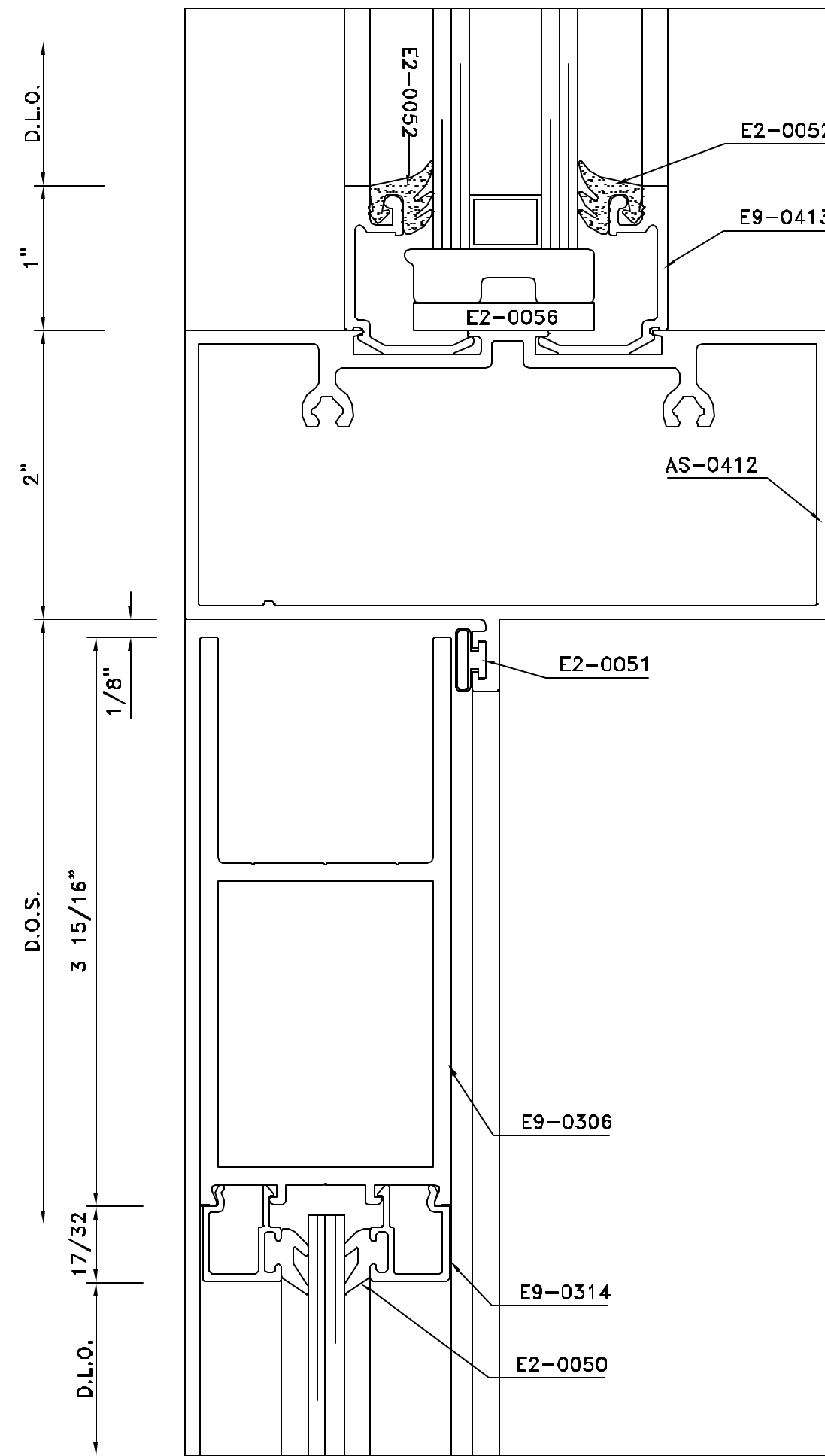


**DETAIL 7**  
 FULL SCALE

ARCH. REF.: (7/A1.3.1)

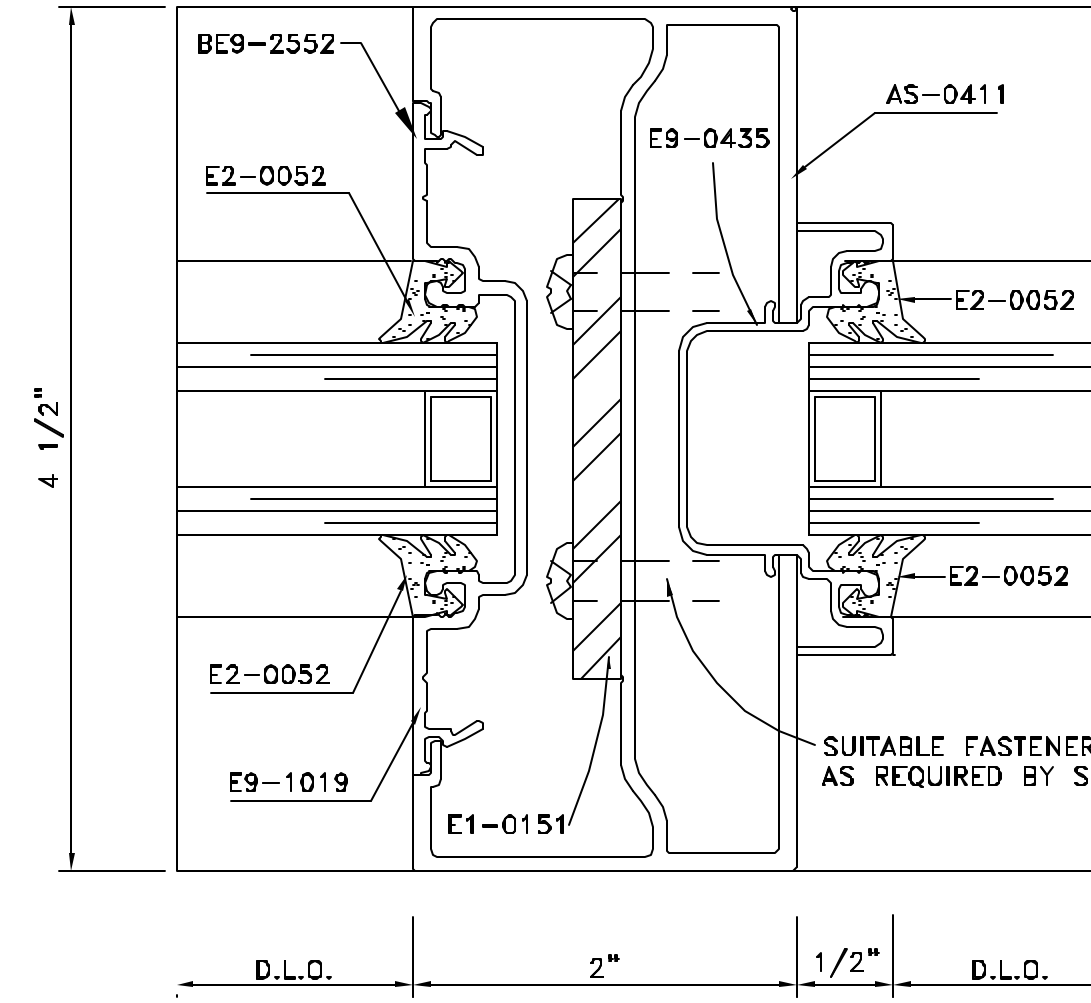
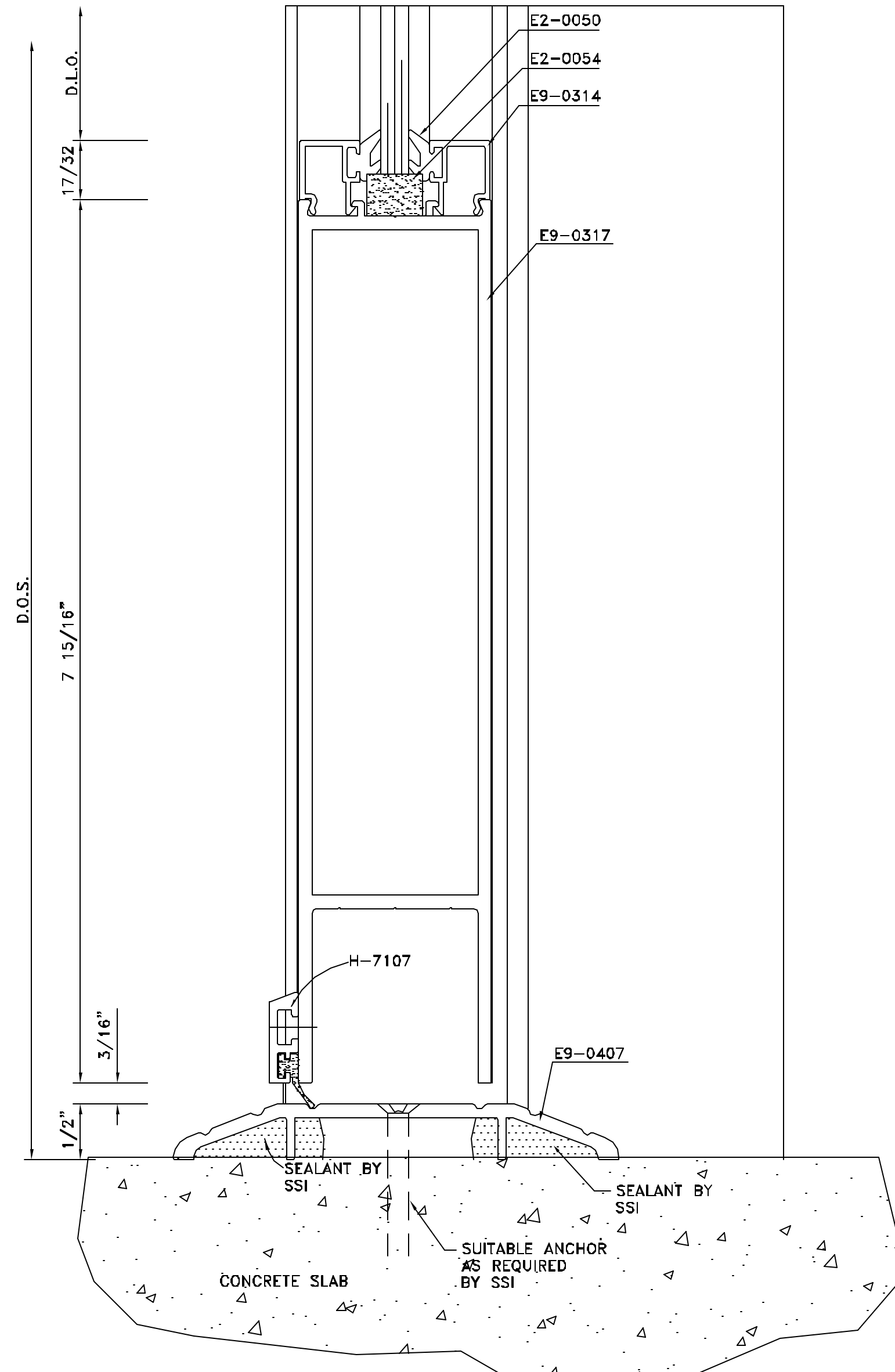
**DETAIL 8**  
FULL SCALE

ARCH. REF.: DOOR @ TRANSOM



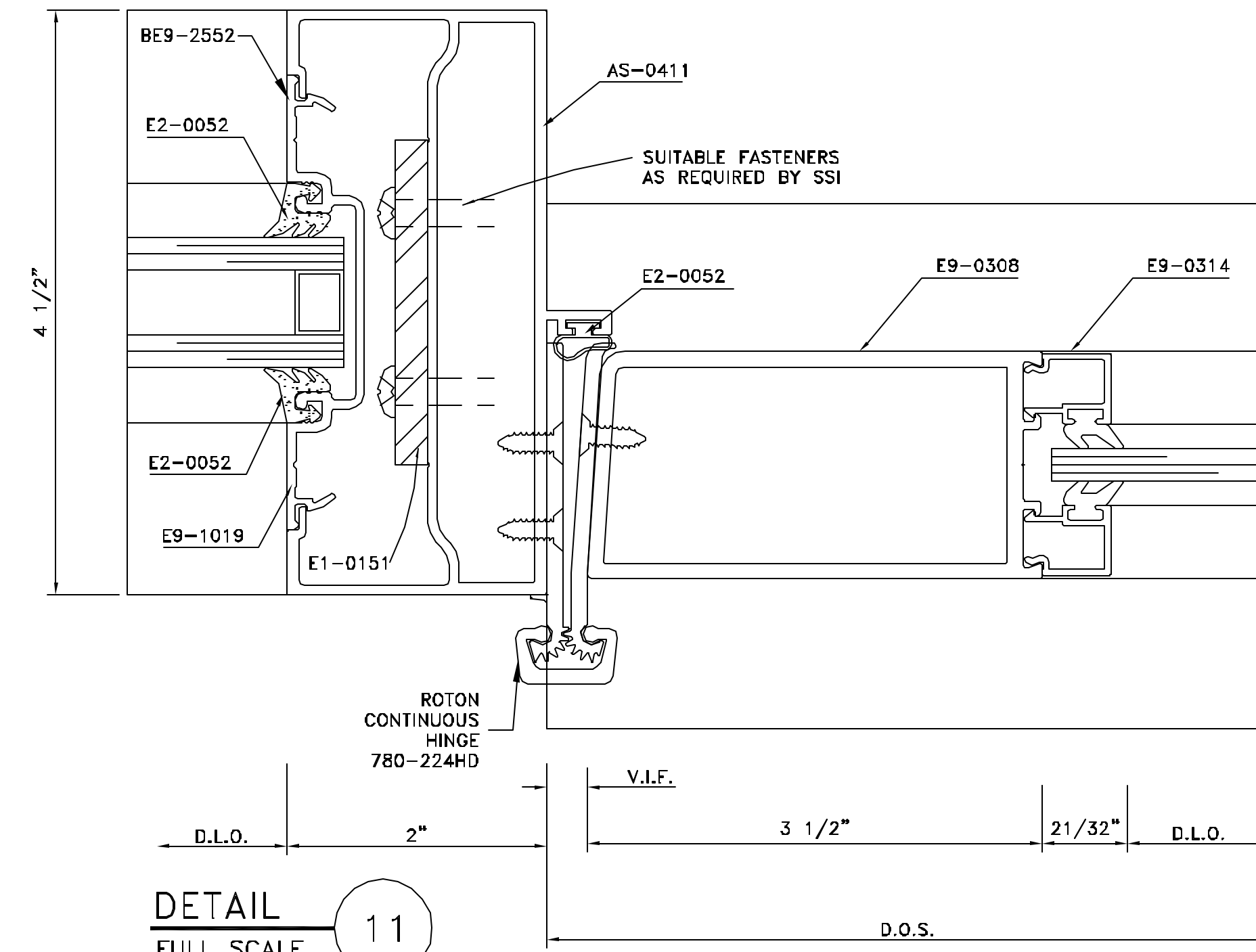
**DETAIL 9**  
FULL SCALE

ARCH. REF.: (2/A4.1.2)



**DETAIL 10**  
FULL SCALE

ARCH. REF.: TRANSOM @ DOOR JAMB



**DETAIL 11**  
FULL SCALE

ARCH. REF.: DOOR JAMB @ SIDELITE

**SSi**

Storefront Systems, Inc.  
9170 Old Atlanta Highway, NW  
Covington, GA 30014  
770.784.1555  
770.385.8010 Fax

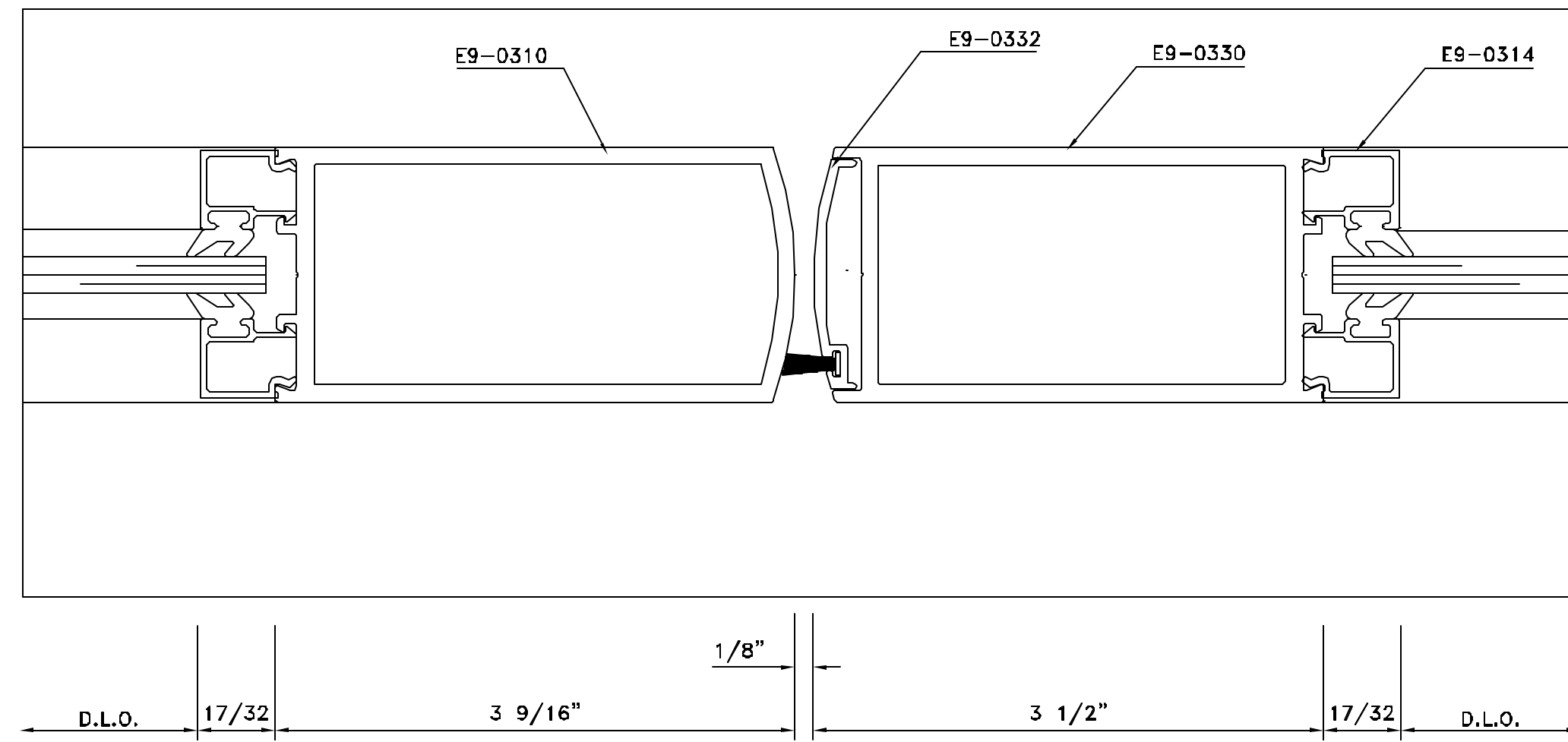
NO.	REVISION	ISSUE DATE	BY	CHKD BY

ARCHITECT NAME AND LOCATION:  
WAKEFIELD, BEASLEY & ASSOCIATES  
5155 PEACHTREE PARKWAY  
BUILDING 300, SUITE 3220  
NORCROSS, GEORGIA 30092

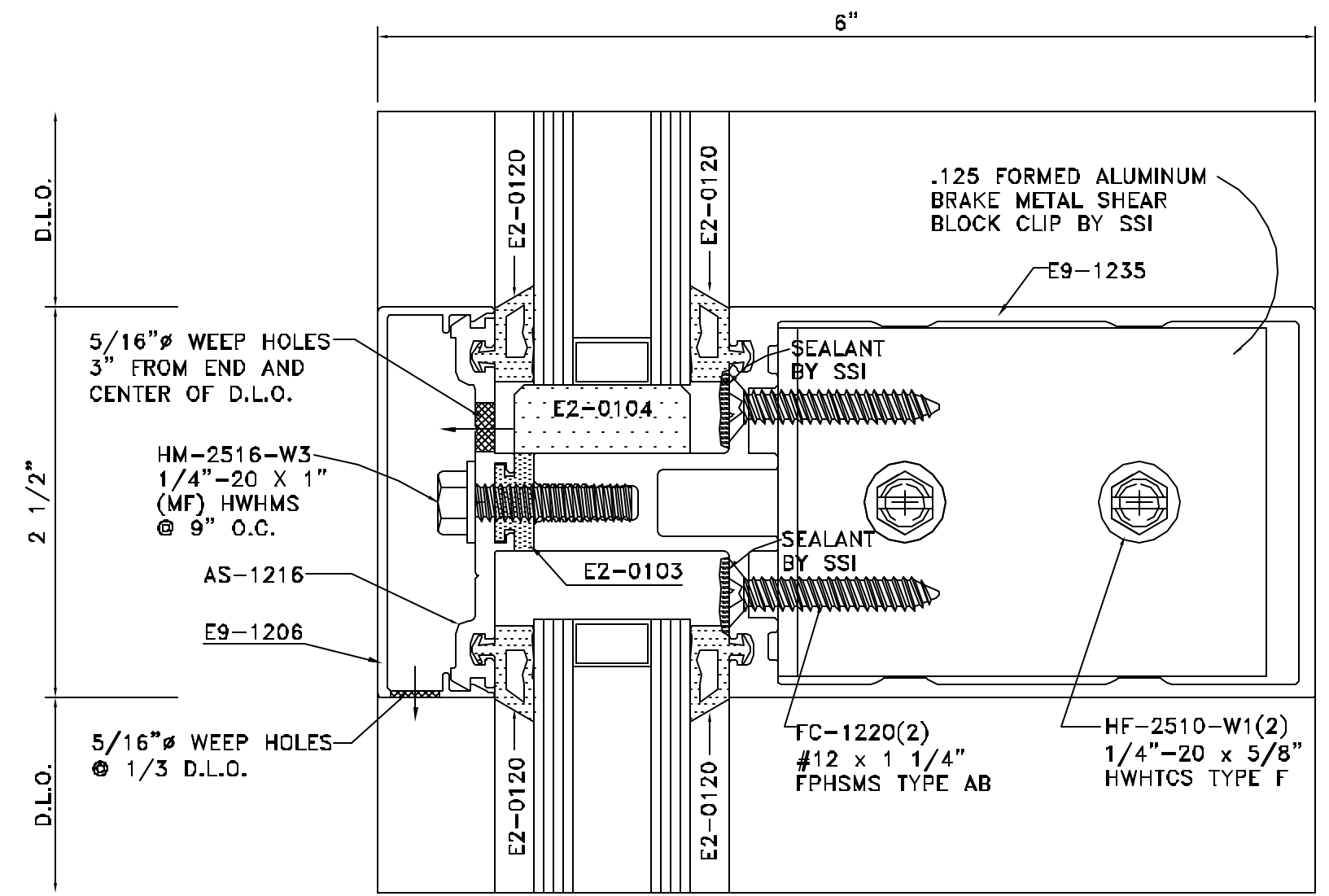
CUSTOMER NAME AND LOCATION:  
PANATTONI CONSTRUCTION, LLC.  
ATLANTA, GEORGIA

PROJECT NAME AND LOCATION:  
KUMHO TIRE  
1240 HIGHWAY 155 SOUTH  
LAND LOT 222, 7TH DISTRICT  
HENRY COUNTY, GEORGIA

DESCRIPTION: DETAILS	
SCALE: FULL	ISSUE DATE: 09/20/06
DRAWN BY: BKB	SHEET NO.:
CHECKED BY: BKB	<b>D3</b>

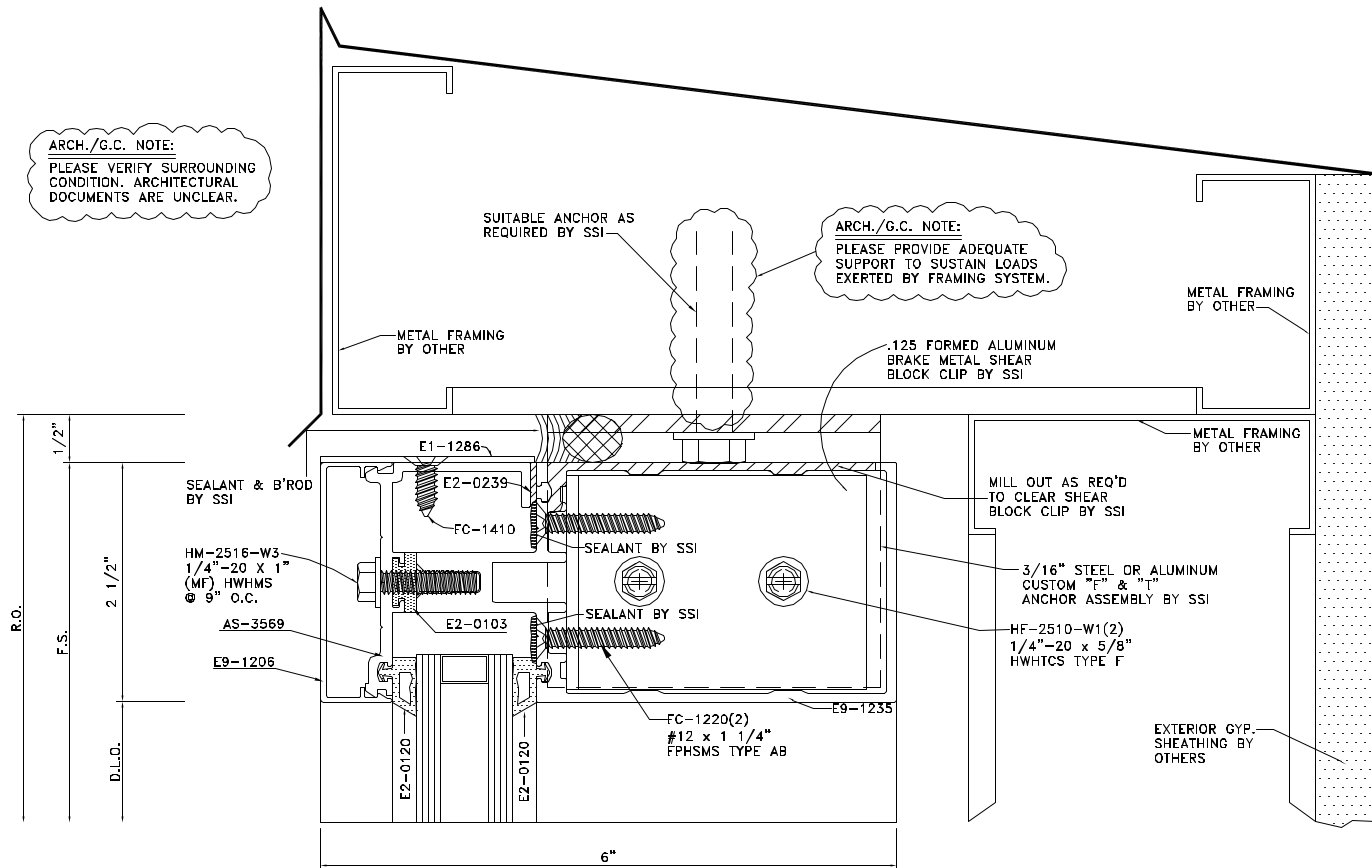


**DETAIL 12**  
FULL SCALE  
ARCH. REF.: MEETING STILE

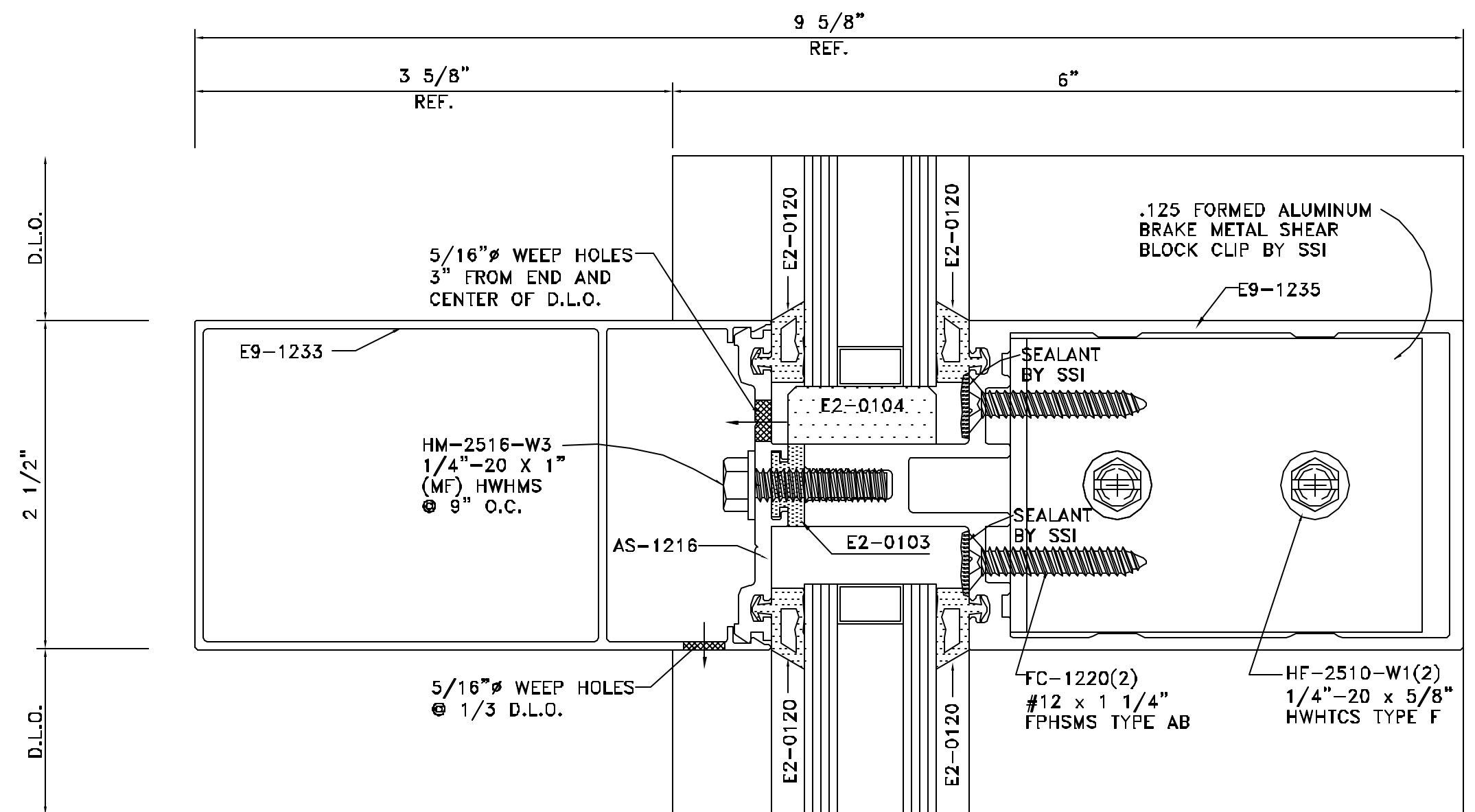


**DETAIL 14**  
FULL SCALE  
ARCH. REF.: HORIZONTAL (1\"/>

ARCH./G.C. NOTE:  
PLEASE VERIFY SURROUNDING  
CONDITION. ARCHITECTURAL  
DOCUMENTS ARE UNCLEAR.



**DETAIL 13**  
FULL SCALE  
ARCH. REF.: 1/A4.1.2



**DETAIL 15**  
FULL SCALE  
ARCH. REF.: HORIZONTAL @ DEEP COVER (1\"/>

**SSi**

Storefront Systems, Inc.  
9170 Old Atlanta Highway, NW  
Covington, GA 30014  
770.784.1555  
770.385.8010 Fax

NO.	REVISION	ISSUE DATE	BY	CHKD BY

ARCHITECT NAME AND LOCATION:  
WAKEFIELD, BEASLEY & ASSOCIATES  
5155 PEACHTREE PARKWAY  
BUILDING 300, SUITE 3220  
NORCROSS, GEORGIA 30092

CUSTOMER NAME AND LOCATION:  
PANATTONI CONSTRUCTION, LLC.  
ATLANTA, GEORGIA

PROJECT NAME AND LOCATION:  
KUMHO TIRE  
1240 HIGHWAY 155 SOUTH  
LAND LOT 222, 7TH DISTRICT  
HENRY COUNTY, GEORGIA

DESCRIPTION:	
SCALE:	ISSUE DATE:
FULL	09/20/06
DRAWN BY:	SHEET NO.:
BKB	D4
CHECKED BY:	
BKB	

NO.	REVISION	ISSUE DATE	BY	CHKD BY

ARCHITECT NAME AND LOCATION:  
WAKEFIELD, BEASLEY & ASSOCIATES  
5155 PEACHTREE PARKWAY  
BUILDING 300, SUITE 3220  
NORCROSS, GEORGIA 30092

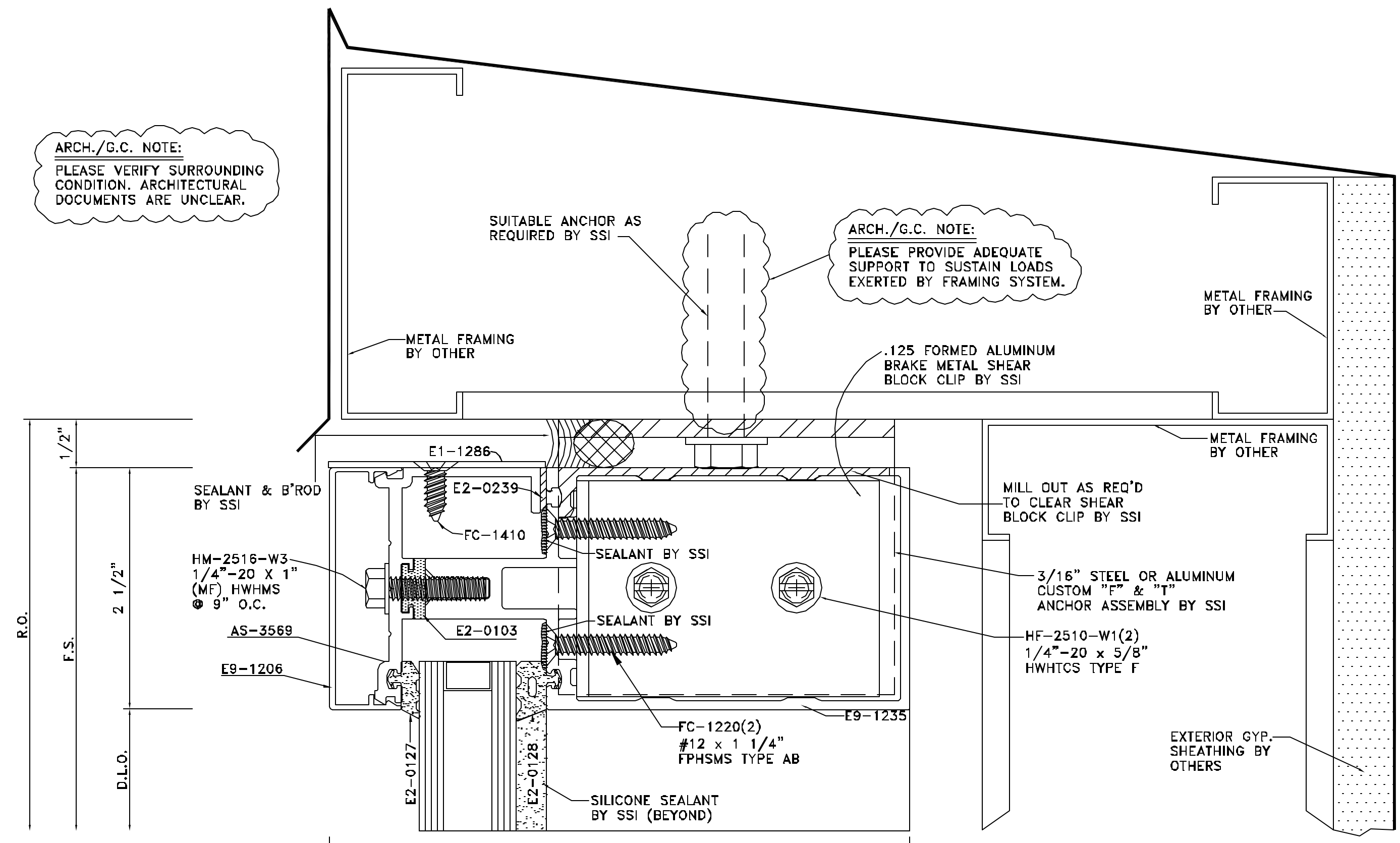
CUSTOMER NAME AND LOCATION:  
PANATTONI CONSTRUCTION, LLC.  
ATLANTA, GEORGIA

PROJECT NAME AND LOCATION:  
KUMHO TIRE  
1240 HIGHWAY 155 SOUTH  
LAND LOT 222, 7TH DISTRICT  
HENRY COUNTY, GEORGIA

DESCRIPTION:	DETAILS
SCALE:	FULL
ISSUE DATE:	09/20/06
DRAWN BY:	BKB
CHECKED BY:	BKB
SHEET NO.:	D5

ARCH./G.C. NOTE:  
PLEASE VERIFY SURROUNDING  
CONDITION. ARCHITECTURAL  
DOCUMENTS ARE UNCLEAR.

ARCH./G.C. NOTE:  
PLEASE PROVIDE ADEQUATE  
SUPPORT TO SUSTAIN LOADS  
EXERTED BY FRAMING SYSTEM.

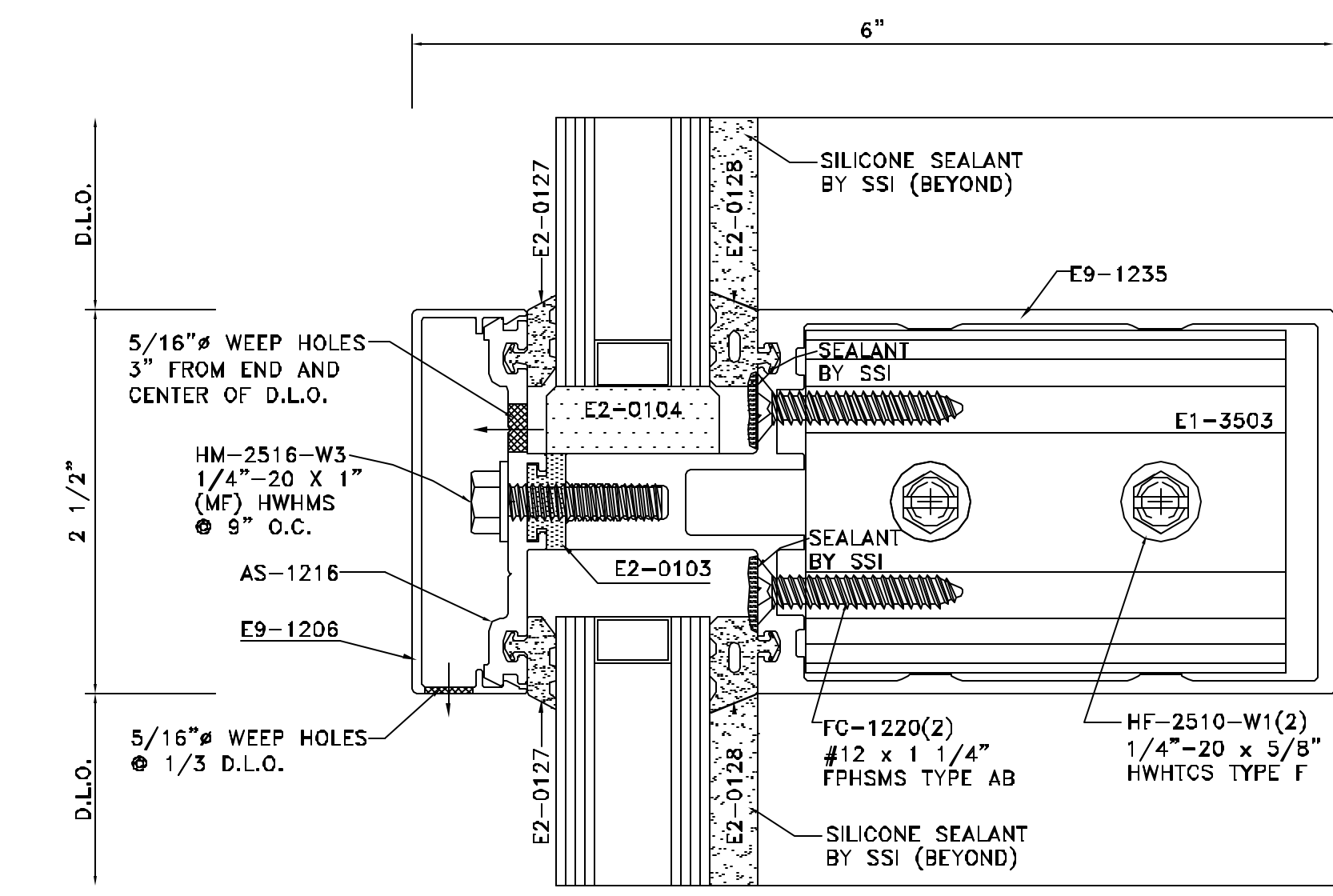
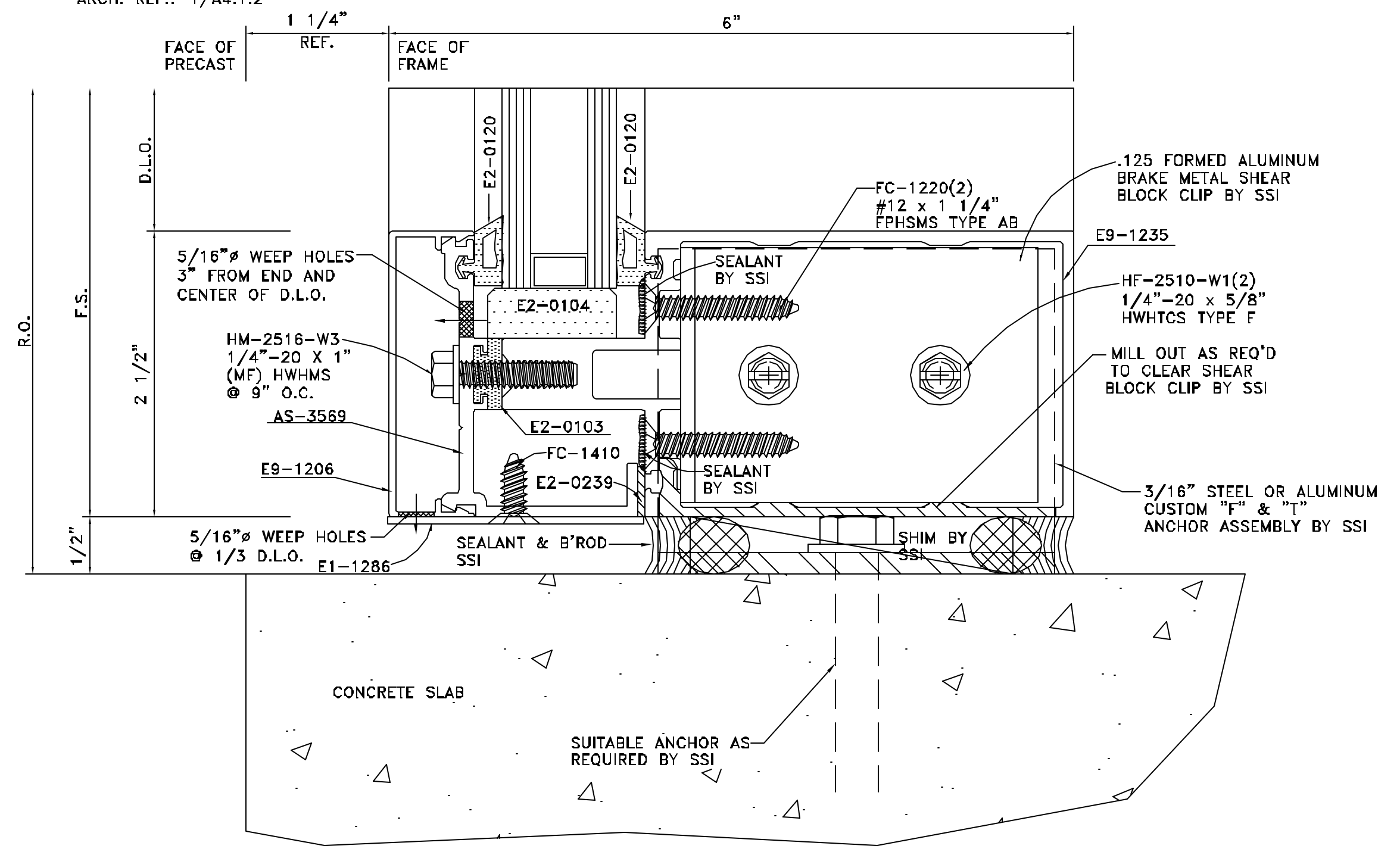


**DETAIL 17**  
FULL SCALE

ARCH. REF.: 1/A4.1.2 @ SSG

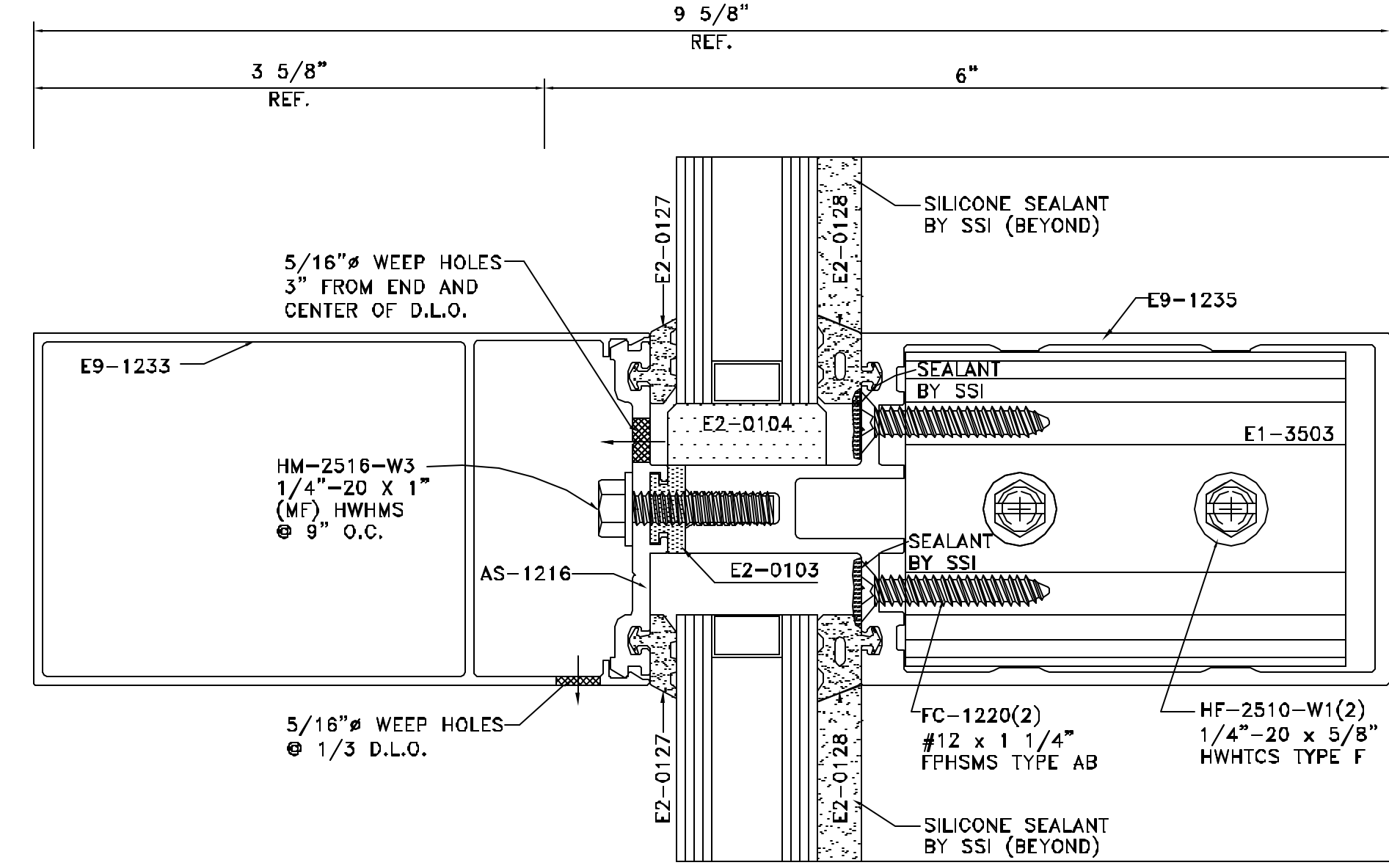
**DETAIL 16**  
FULL SCALE

ARCH. REF.: 1/A4.1.2



**DETAIL 18**  
FULL SCALE

ARCH. REF.: HORIZONTAL (1" TO 1") @ SSG



**DETAIL 19**  
FULL SCALE

ARCH. REF.: HORIZONTAL @ DEEP COVER (1" TO 1") @ SSG

NO.	REVISION	ISSUE DATE	BY

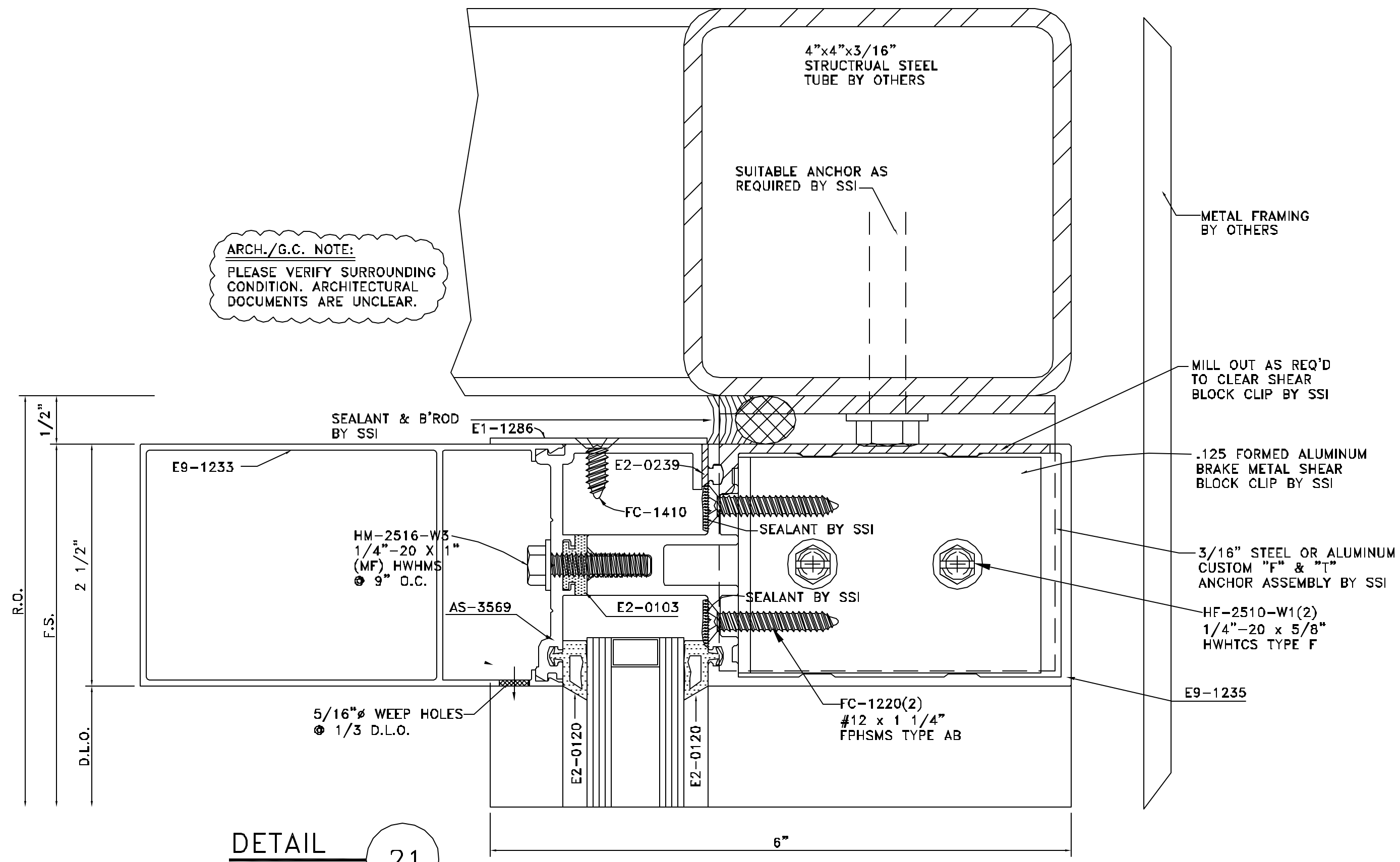
ARCHITECT NAME AND LOCATION:  
WAKEFIELD, BEASLEY & ASSOCIATES  
5155 PEACHTREE PARKWAY  
BUILDING 300, SUITE 3220  
NORCROSS, GEORGIA 30092

CUSTOMER NAME AND LOCATION:  
PANATTONI CONSTRUCTION, LLC.  
ATLANTA, GEORGIA

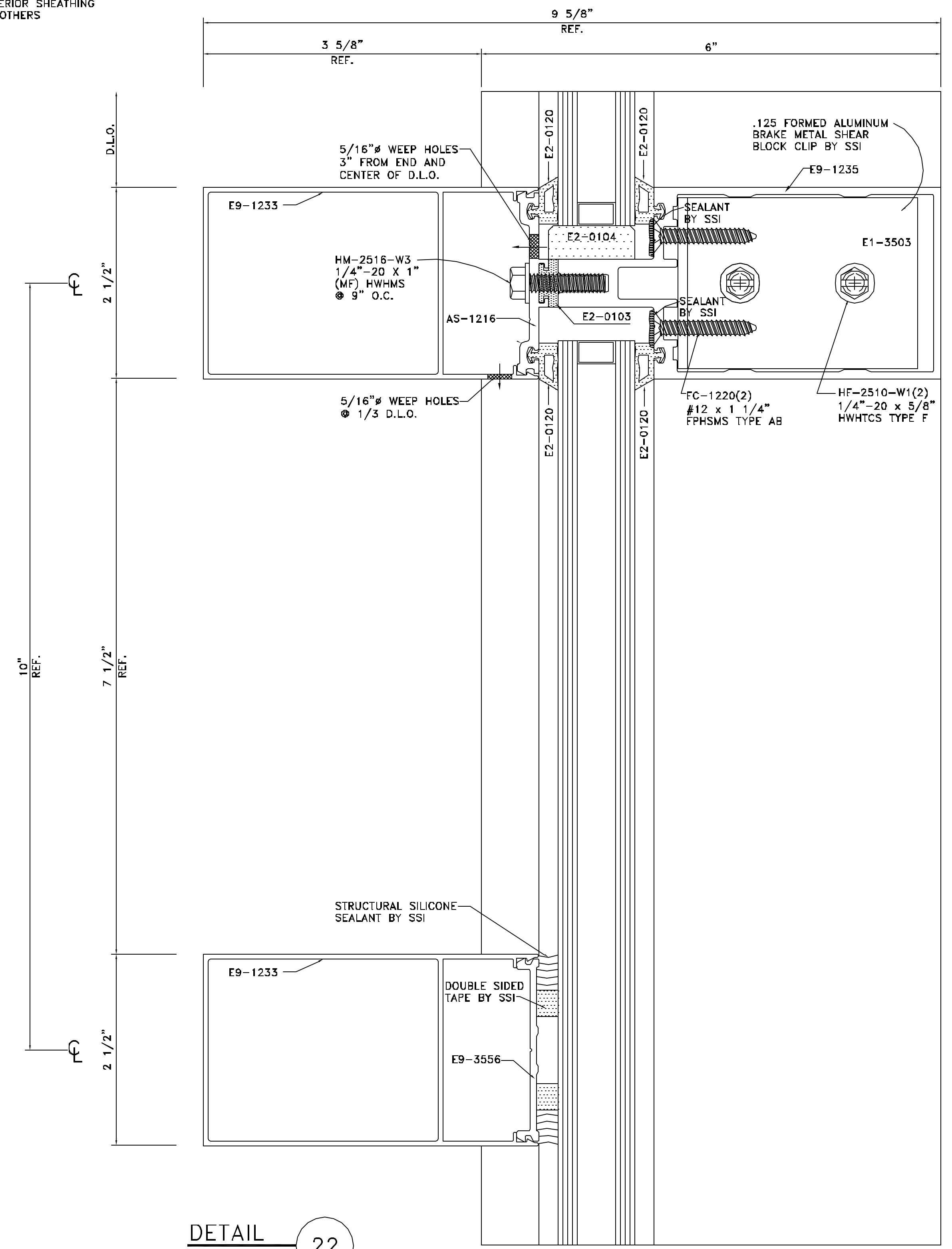
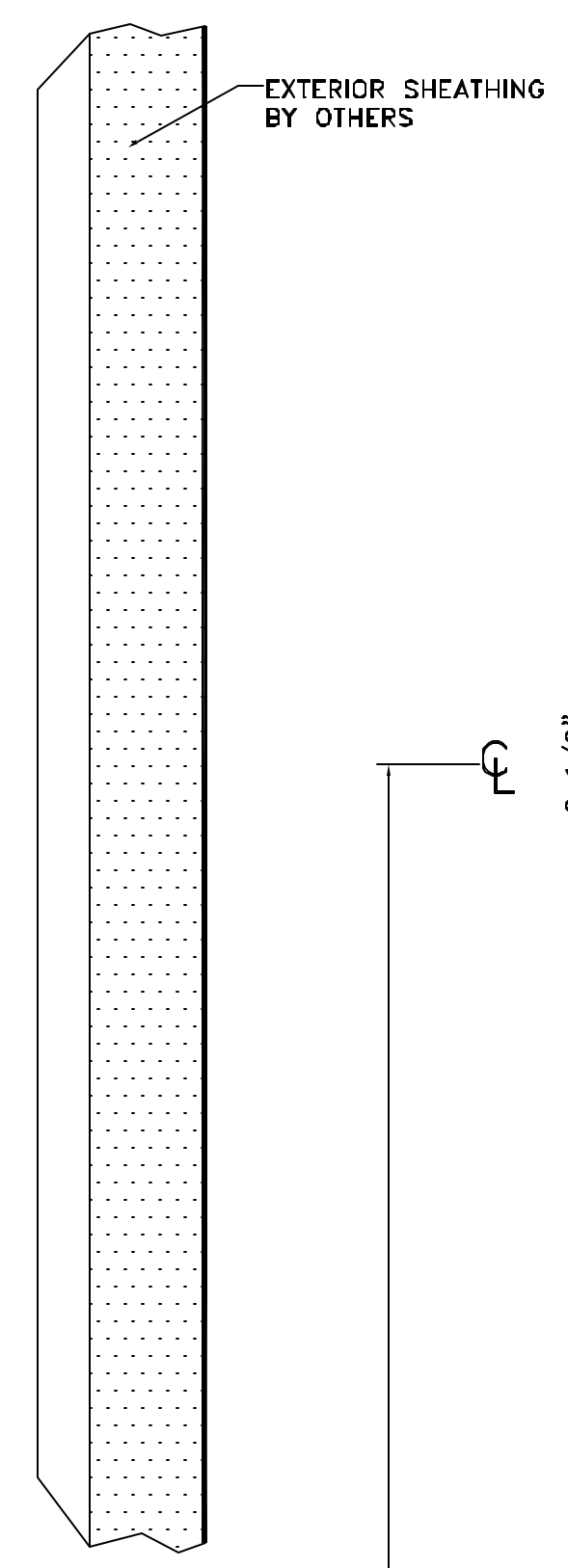
PROJECT NAME AND LOCATION:  
KUMHO TIRE  
1240 HIGHWAY 155 SOUTH  
LAND LOT 222, 7TH DISTRICT  
HENRY COUNTY, GEORGIA

DESCRIPTION:	
SCALE:	ISSUE DATE:
FULL	09/20/06
DRAWN BY:	SHEET NO.:
BKB	D6
CHECKED BY:	
BKB	

ARCH./G.C. NOTE:  
PLEASE VERIFY SURROUNDING  
CONDITION. ARCHITECTURAL  
DOCUMENTS ARE UNCLEAR.

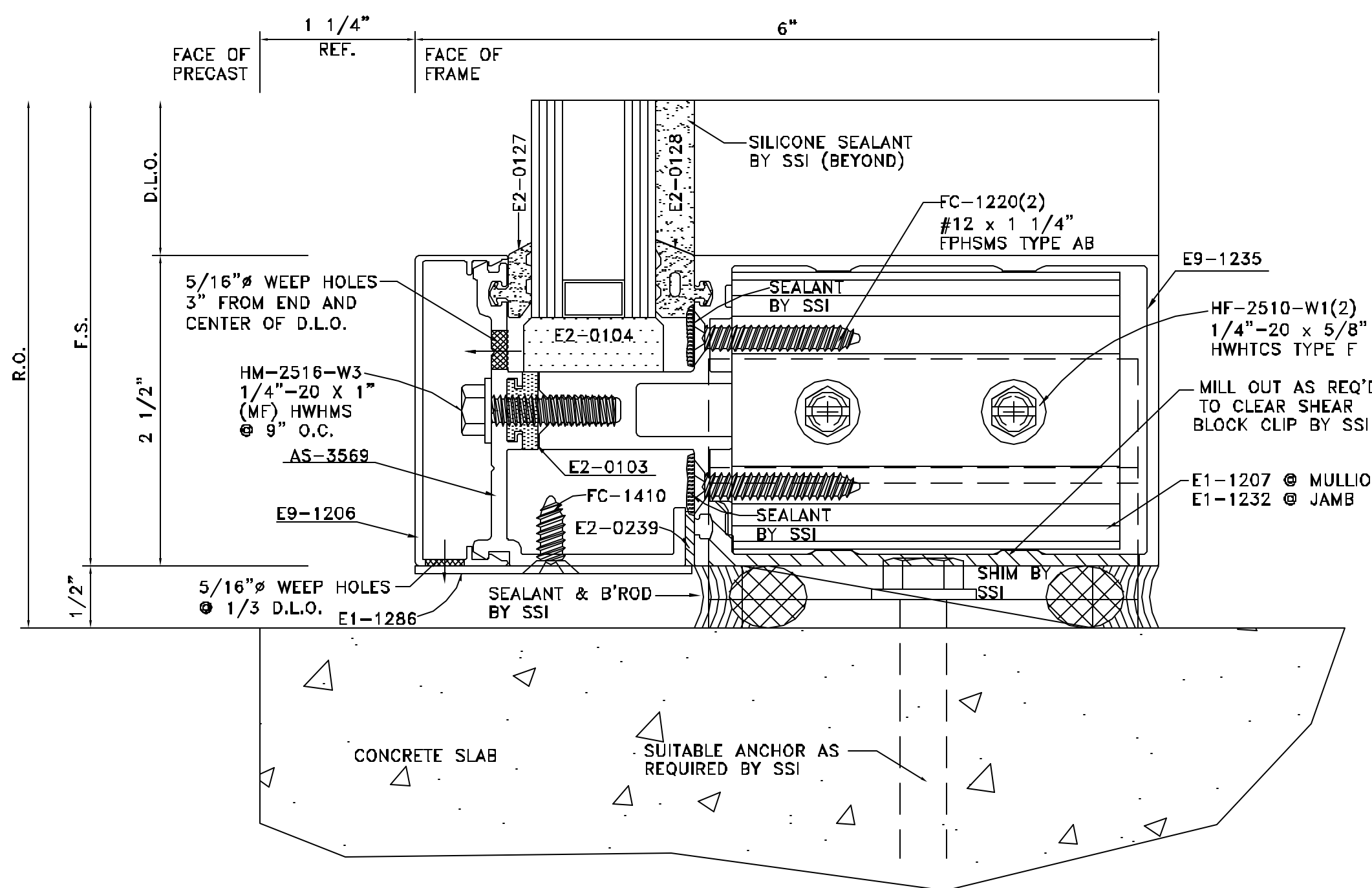


**DETAIL 21**  
FULL SCALE  
ARCH. REF.: 2/A4.1.2



**DETAIL 22**  
FULL SCALE  
ARCH. REF.: HORIZONTAL @ DEEP COVER (1" TO 1")  
ALONG WITH APPLIED COVER

**DETAIL 20**  
FULL SCALE  
ARCH. REF.: 1/A4.1.2 @ SSG



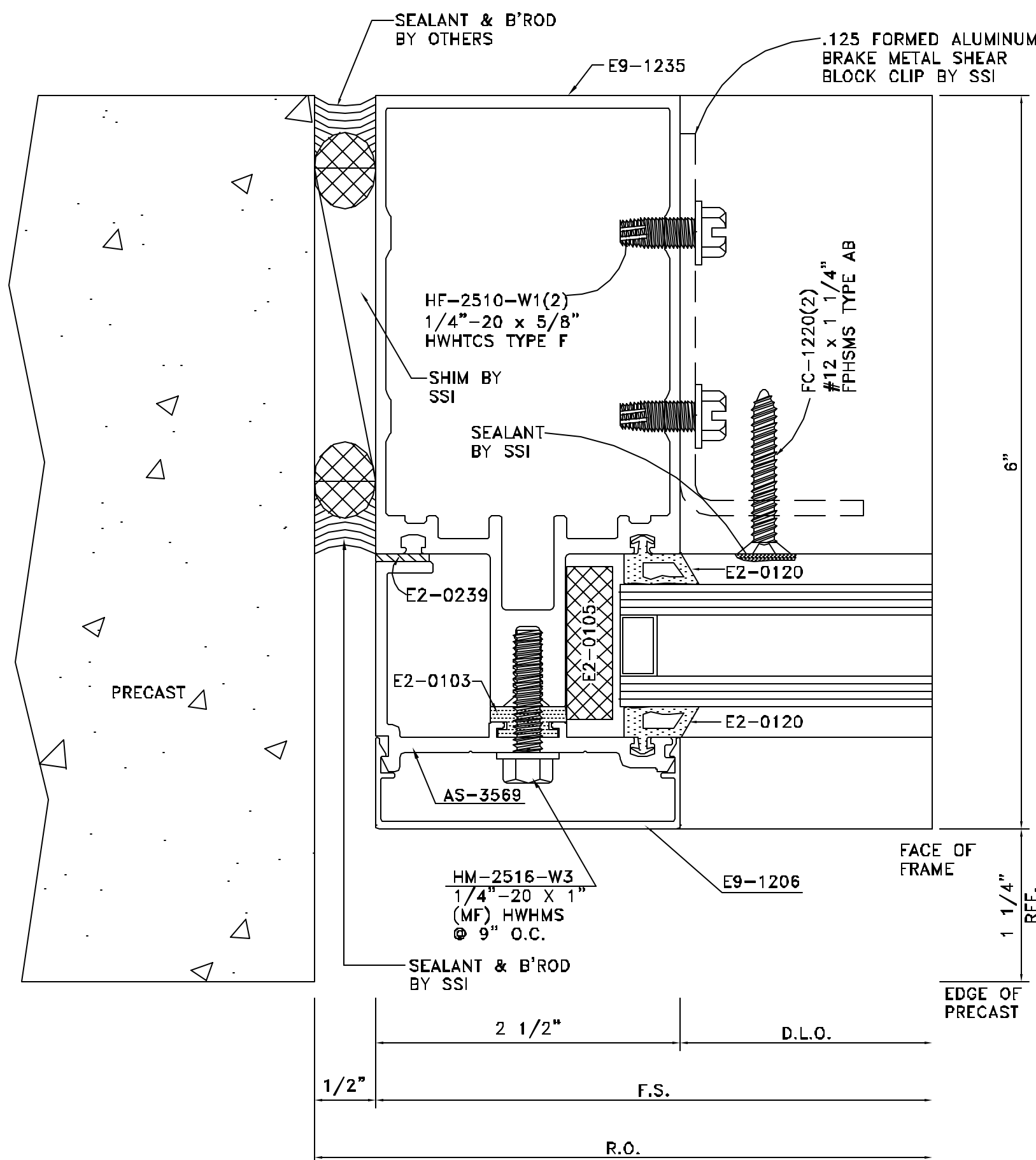
NO.	REVISION	ISSUE DATE	BY

ARCHITECT NAME AND LOCATION:  
WAKEFIELD, BEASLEY & ASSOCIATES  
5155 PEACHTREE PARKWAY  
BUILDING 300, SUITE 3220  
NORCROSS, GEORGIA 30092

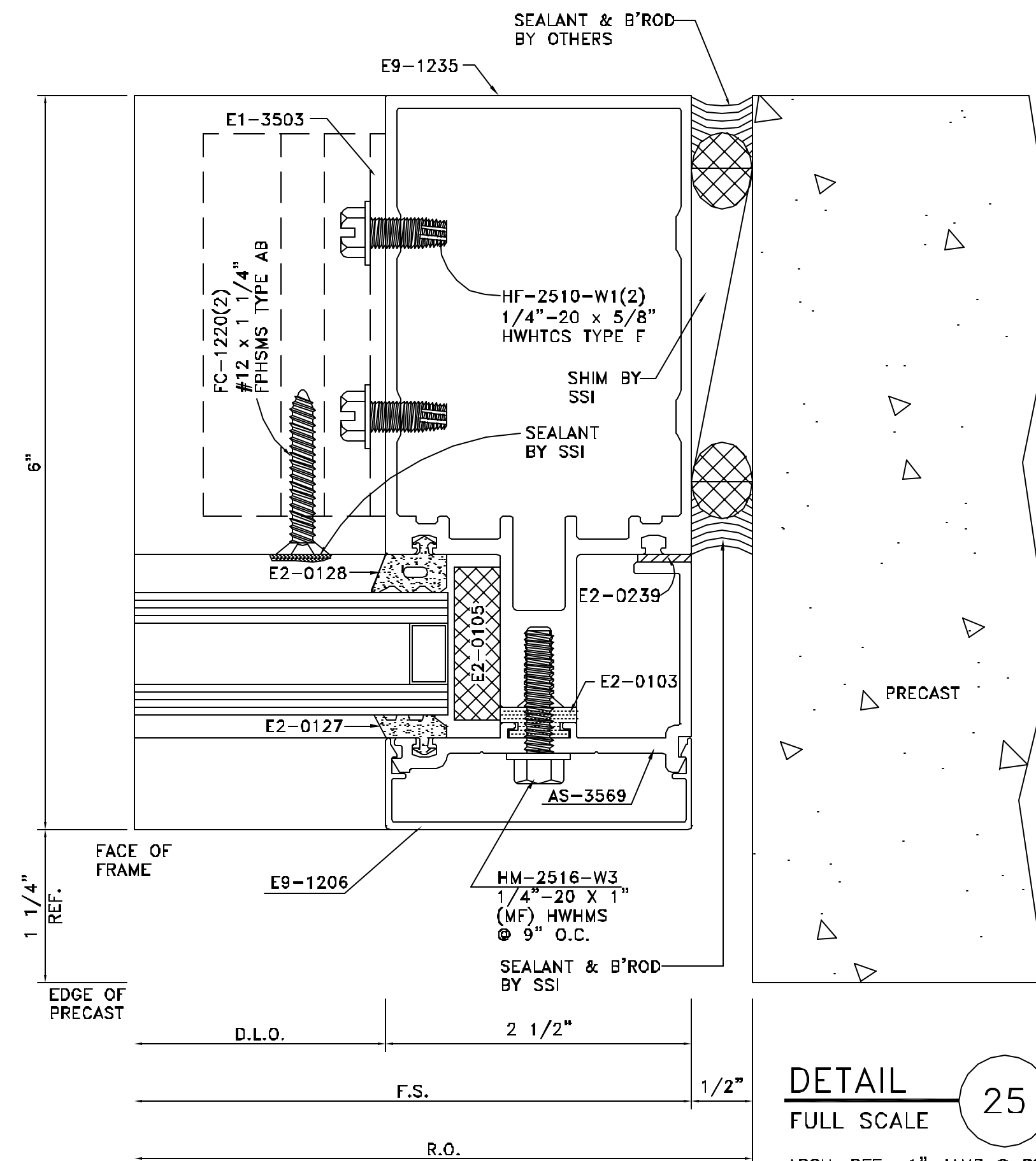
CUSTOMER NAME AND LOCATION:  
PANATTONI CONSTRUCTION, LLC.  
ATLANTA, GEORGIA

PROJECT NAME AND LOCATION:  
KUMHO TIRE  
1240 HIGHWAY 155 SOUTH  
LAND LOT 222, 7TH DISTRICT  
HENRY COUNTY, GEORGIA

DESCRIPTION:	
SCALE:	ISSUE DATE:
FULL	09/20/06
DRAWN BY:	SHEET NO.:
BKB	D7
CHECKED BY:	
BKB	

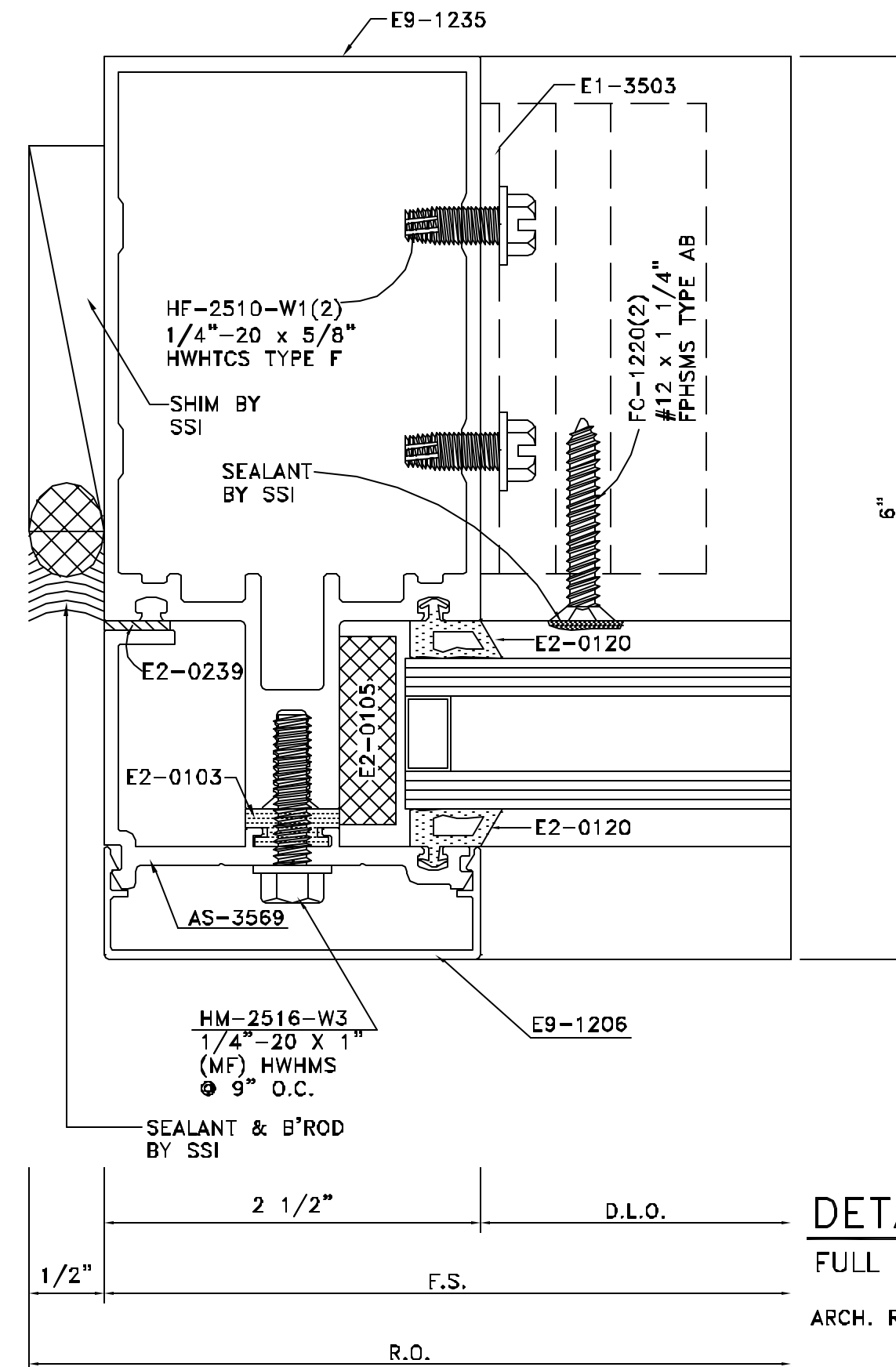


**DETAIL 24**  
FULL SCALE  
ARCH. REF.: 1" JAMB



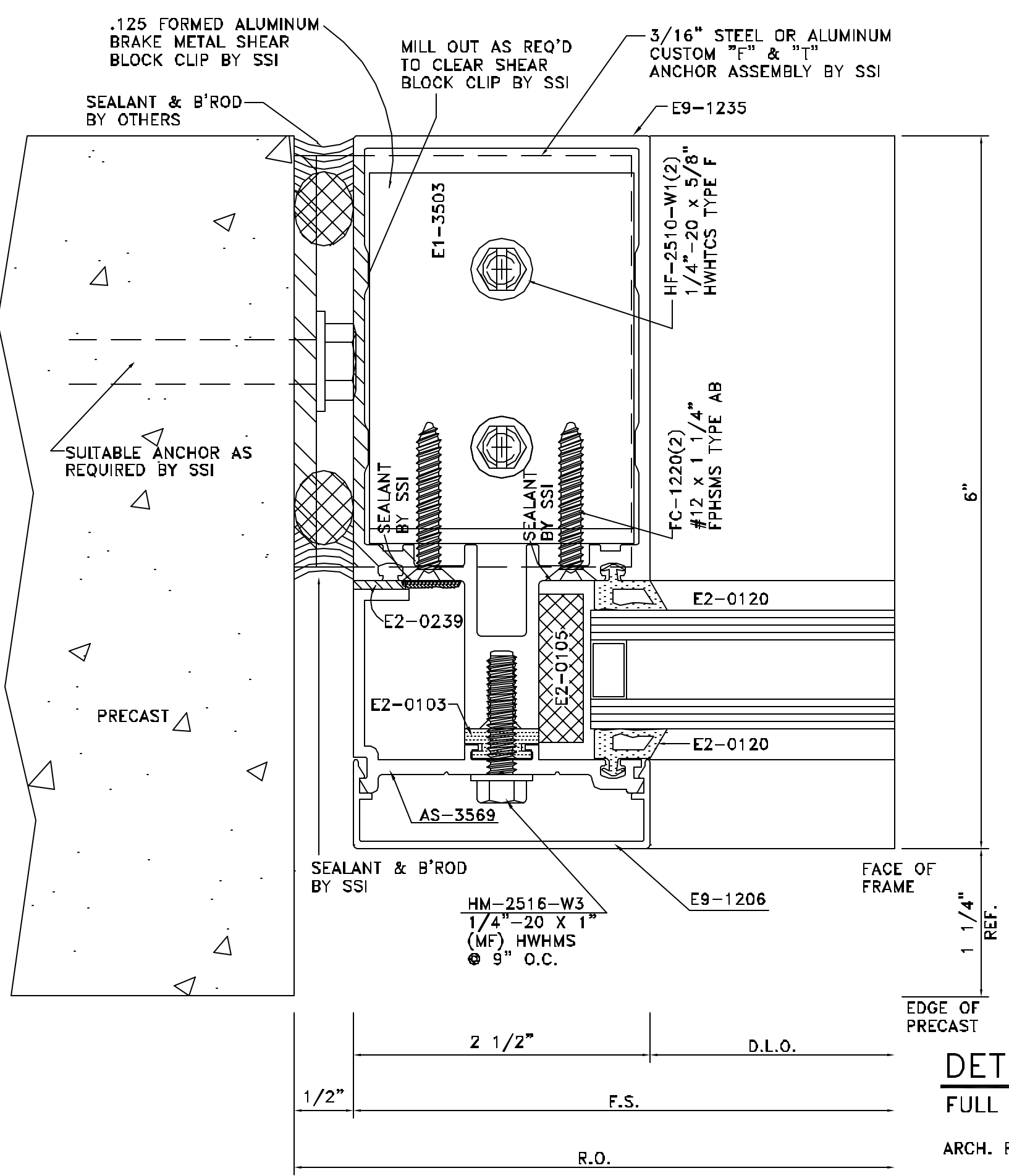
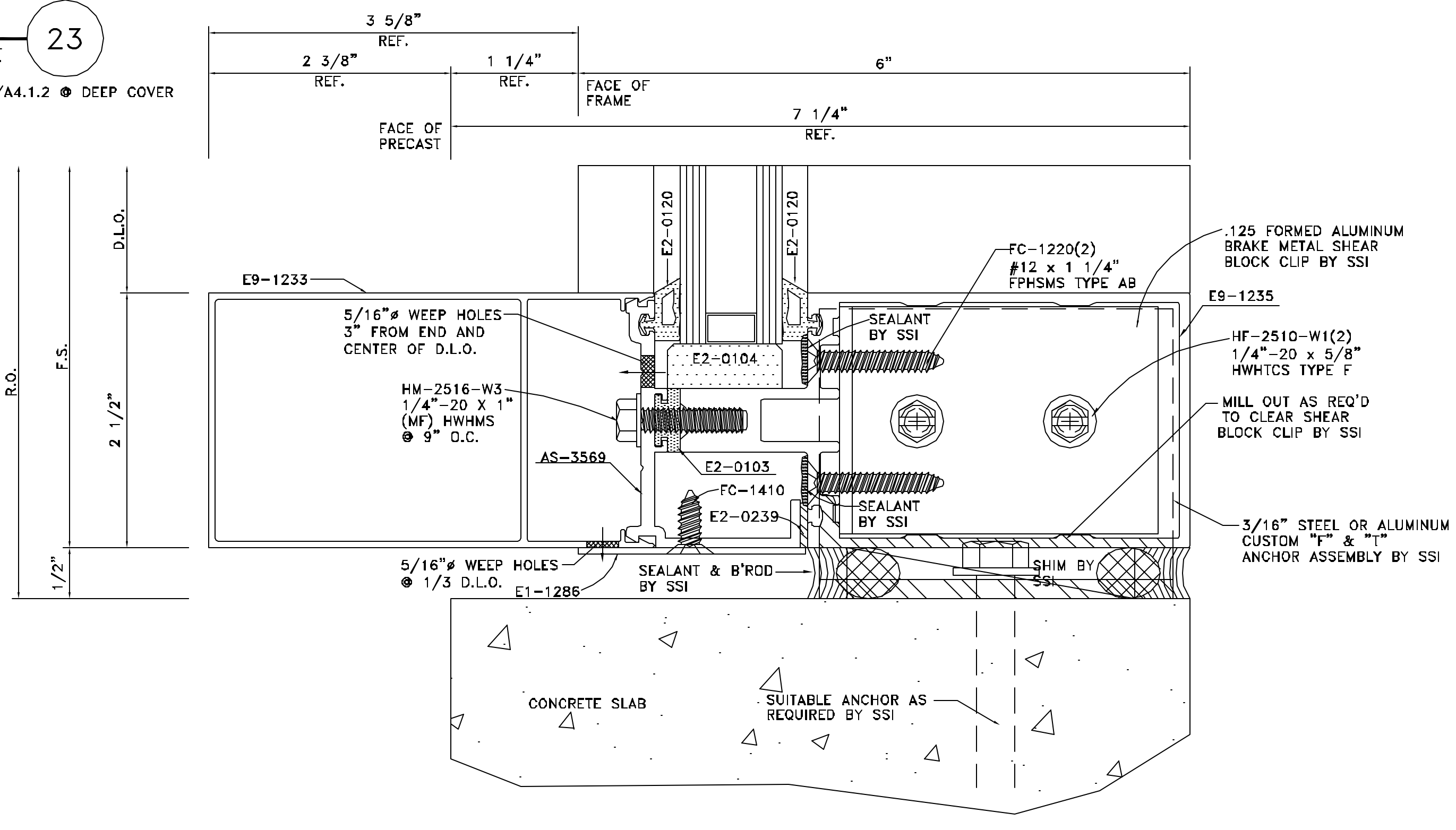
**DETAIL 25**  
FULL SCALE  
ARCH. REF.: 1" JAMB

ARCH./G.C. NOTE:  
PLEASE PROVIDE SURROUNDING  
CONDITION, ARCHITECTURAL  
DOCUMENTS ARE UNCLEAR.

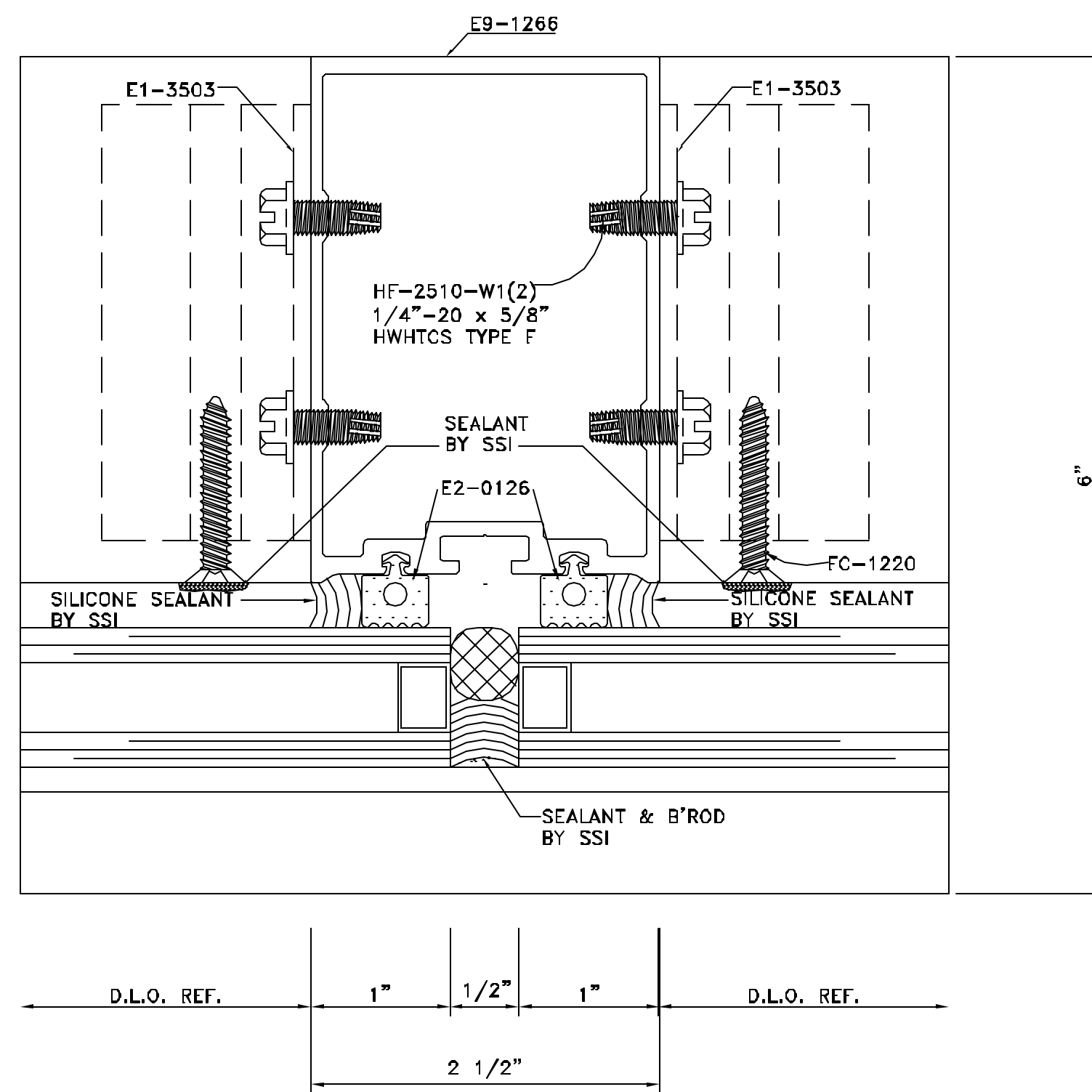


**DETAIL 26**  
FULL SCALE  
ARCH. REF.: 1" JAMB

**DETAIL 23**  
FULL SCALE  
ARCH. REF.: 2/A4.1.2

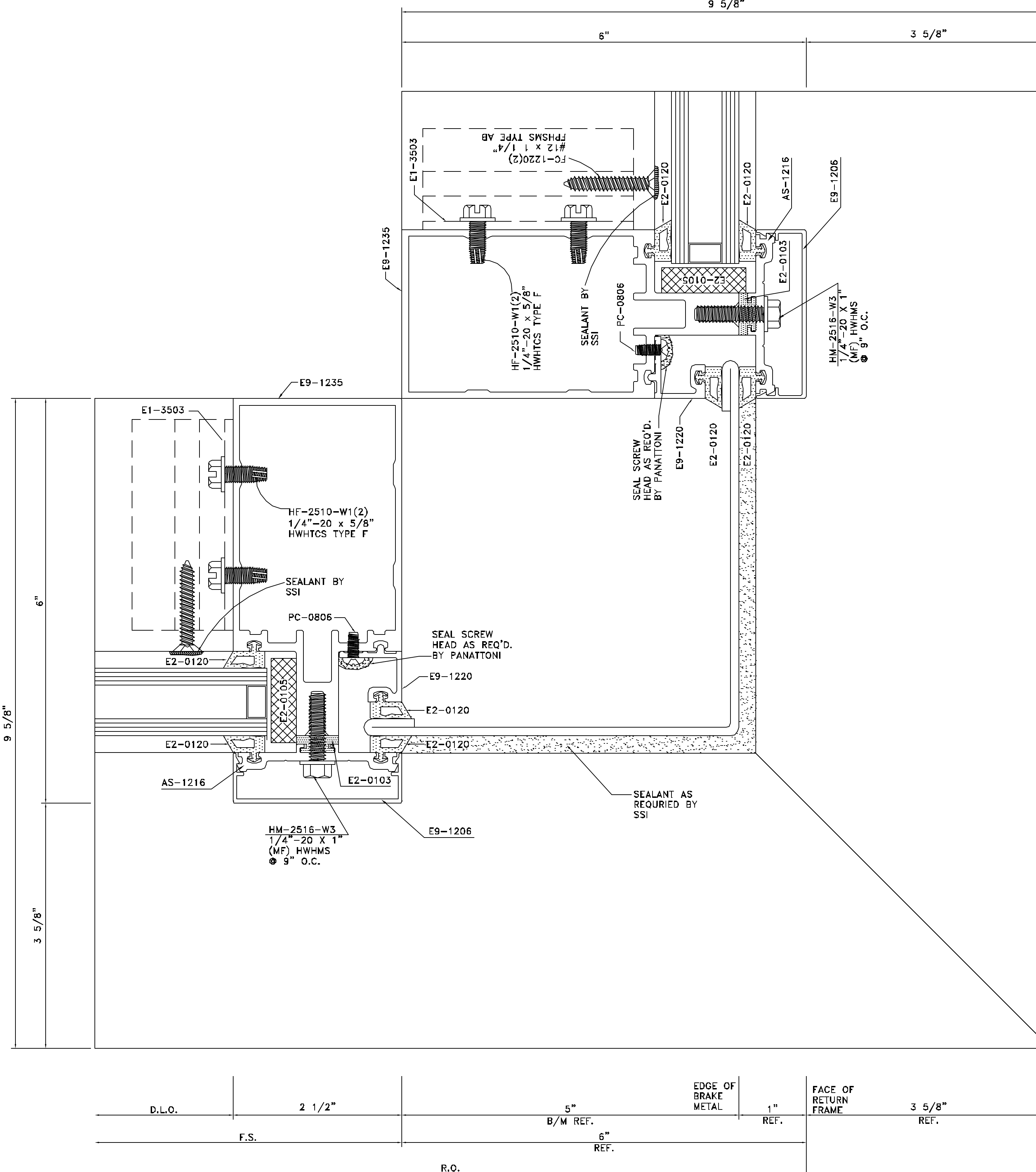


**DETAIL 27**  
FULL SCALE  
ARCH. REF.: 1" JAMB



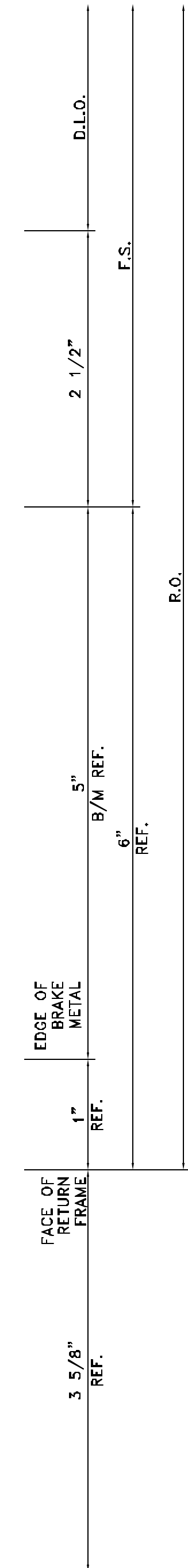
**DETAIL 28**  
FULL SCALE

ARCH. REF.: SSG MULLION (1"-1")



**DETAIL 29**  
FULL SCALE

ARCH. REF.: 90° OUTSIDE CORNER



NO.	REVISION	ISSUE DATE	BY	CHKD BY

ARCHITECT NAME AND LOCATION:  
WAKEFIELD, BEASLEY & ASSOCIATES  
5155 PEACHTREE PARKWAY  
BUILDING 300, SUITE 3220  
NORCROSS, GEORGIA 30092

CUSTOMER NAME AND LOCATION:  
PANATTONI CONSTRUCTION, LLC.  
ATLANTA, GEORGIA

PROJECT NAME AND LOCATION:  
KUMHO TIRE  
1240 HIGHWAY 155 SOUTH  
LAND LOT 222, 7TH DISTRICT  
HENRY COUNTY, GEORGIA

DESCRIPTION: DETAILS	
SCALE: FULL	ISSUE DATE: 09/20/06
DRAWN BY: BKB	SHEET NO.:
CHECKED BY: BKB	<b>D8</b>



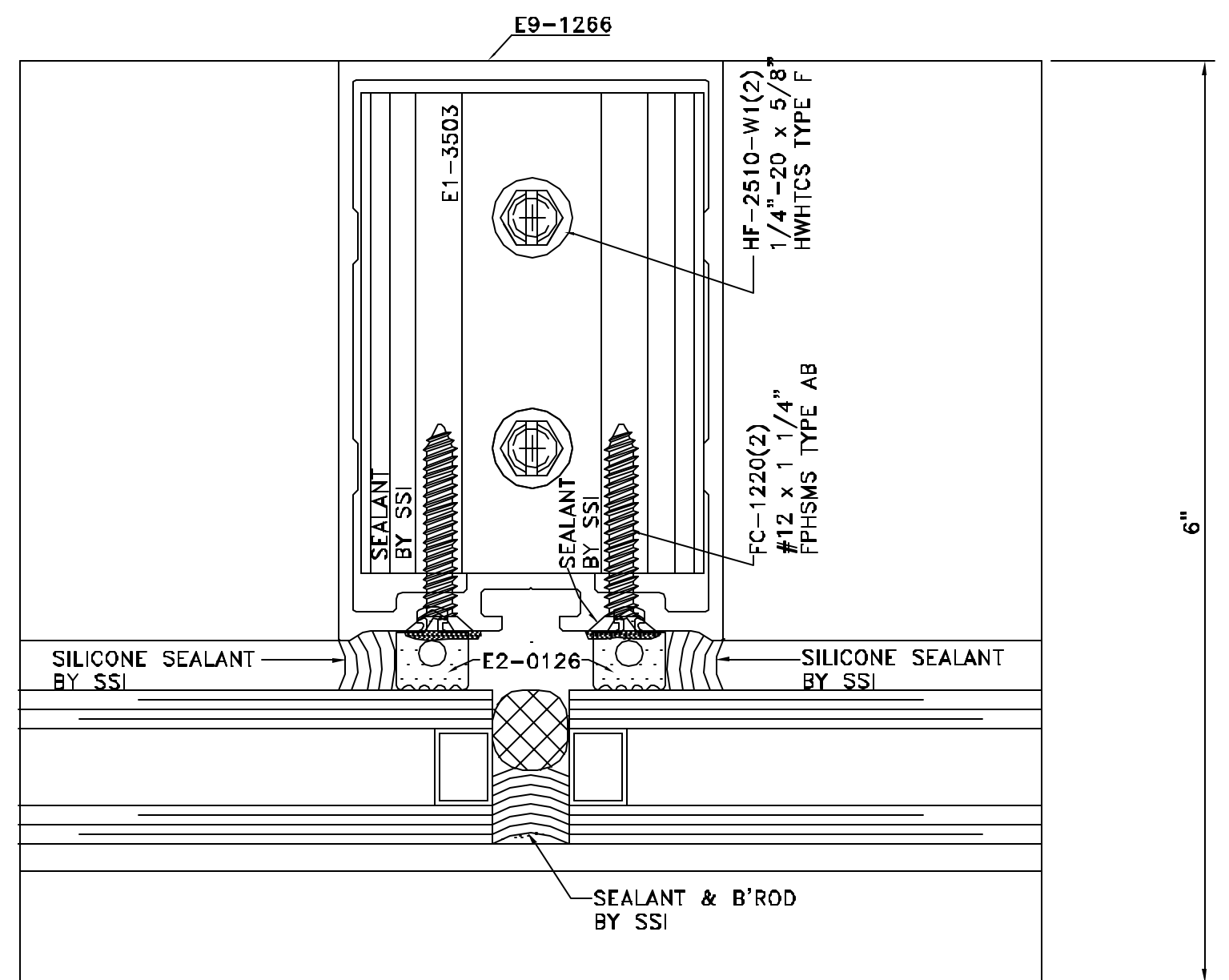
NO.	REVISION	ISSUE DATE	BY

ARCHITECT NAME AND LOCATION:  
WAKEFIELD, BEASLEY & ASSOCIATES  
5155 PEACHTREE PARKWAY  
BUILDING 300, SUITE 3220  
NORCROSS, GEORGIA 30092

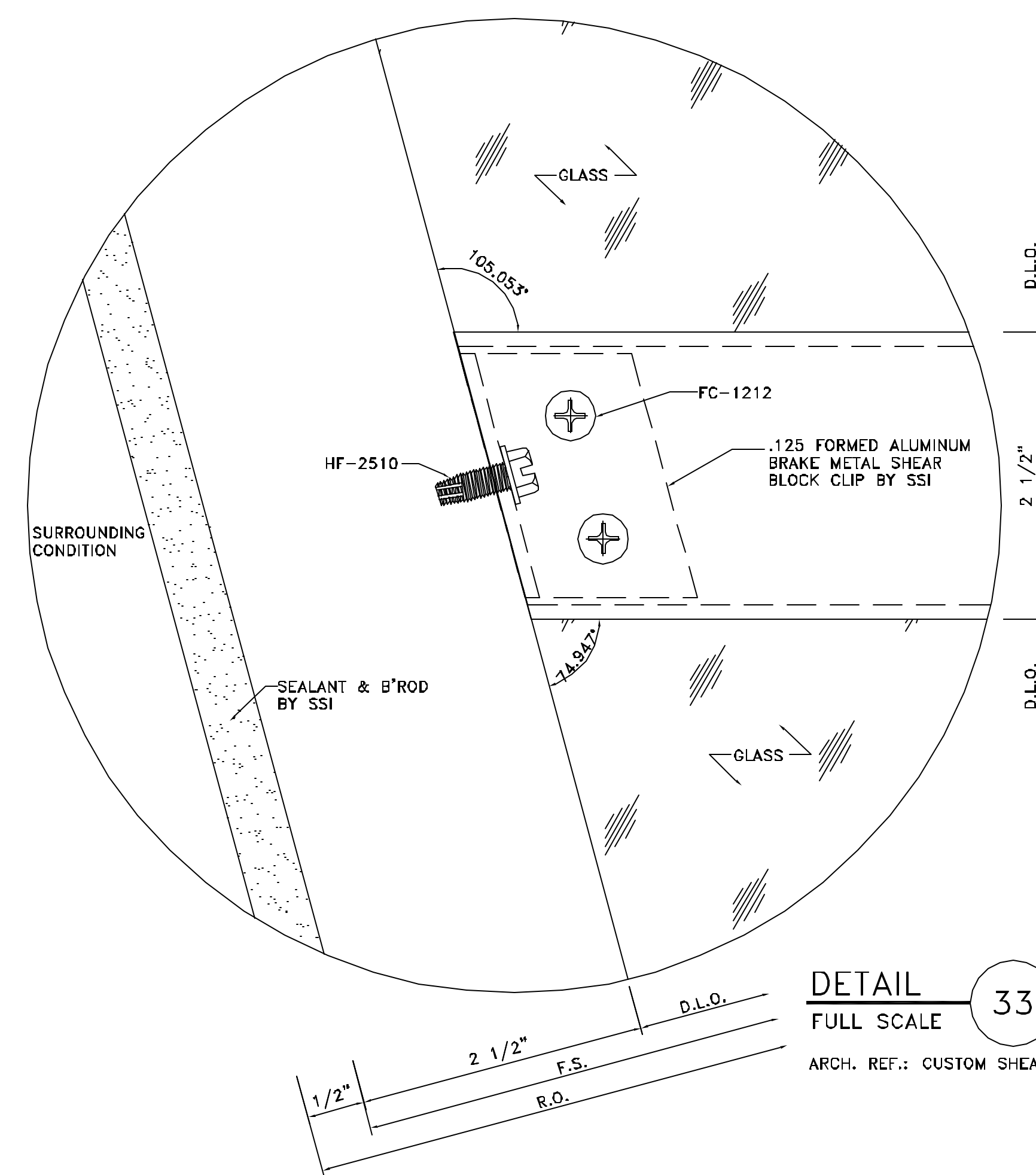
CUSTOMER NAME AND LOCATION:  
PANATTONI CONSTRUCTION, LLC.  
ATLANTA, GEORGIA

PROJECT NAME AND LOCATION:  
KUMHO TIRE  
1240 HIGHWAY 155 SOUTH  
LAND LOT 222, 7TH DISTRICT  
HENRY COUNTY, GEORGIA

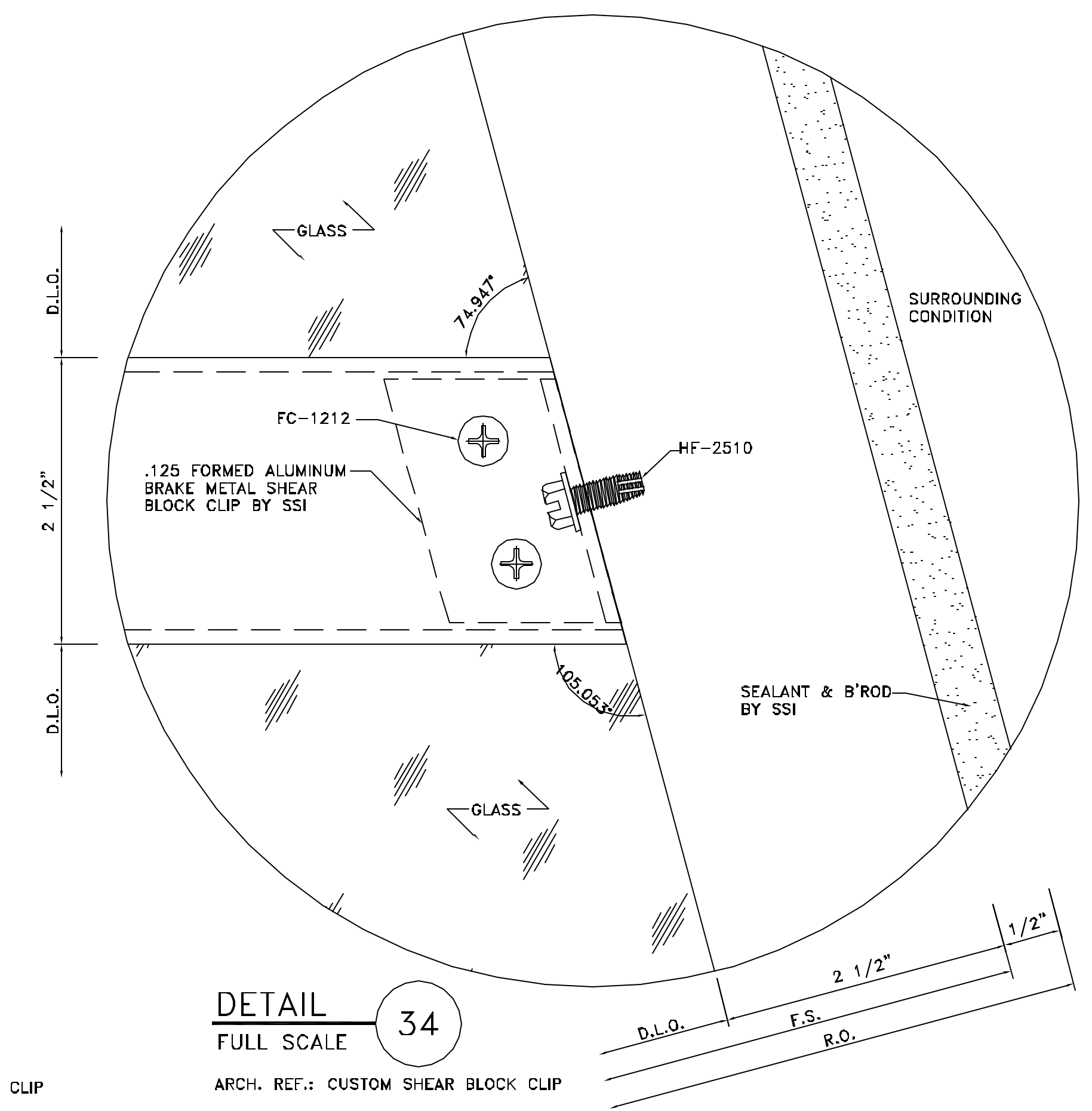
DESCRIPTION:	ISSUE DATE:
DETAILS	09/20/06
SCALE:	SHEET NO.:
FULL	D9
DRAWN BY:	
BKB	
CHECKED BY:	
BKB	



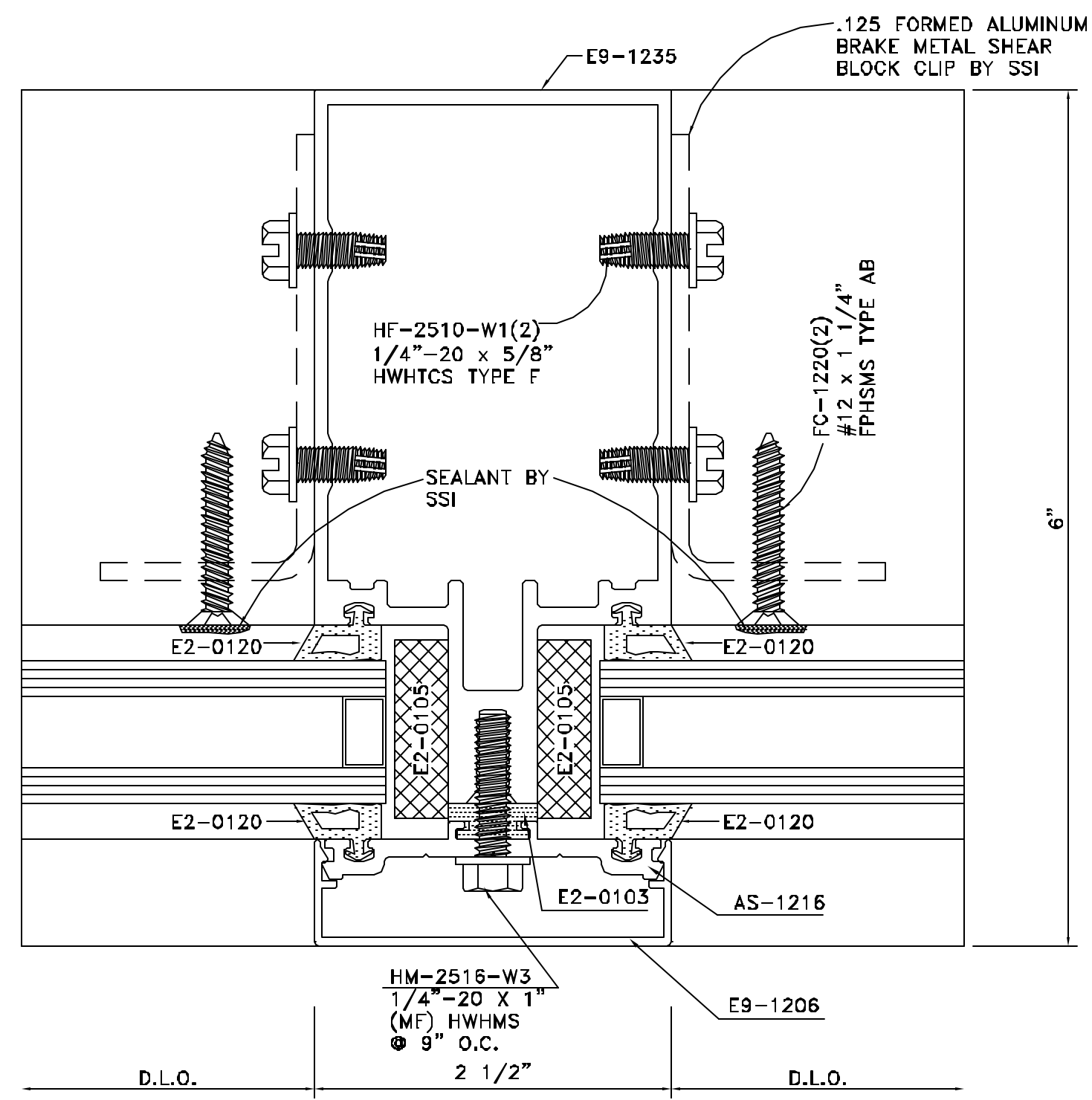
DETAIL 30  
FULL SCALE  
ARCH. REF.: SSG MULLION (1"=1")  
● ROTATED CLIP



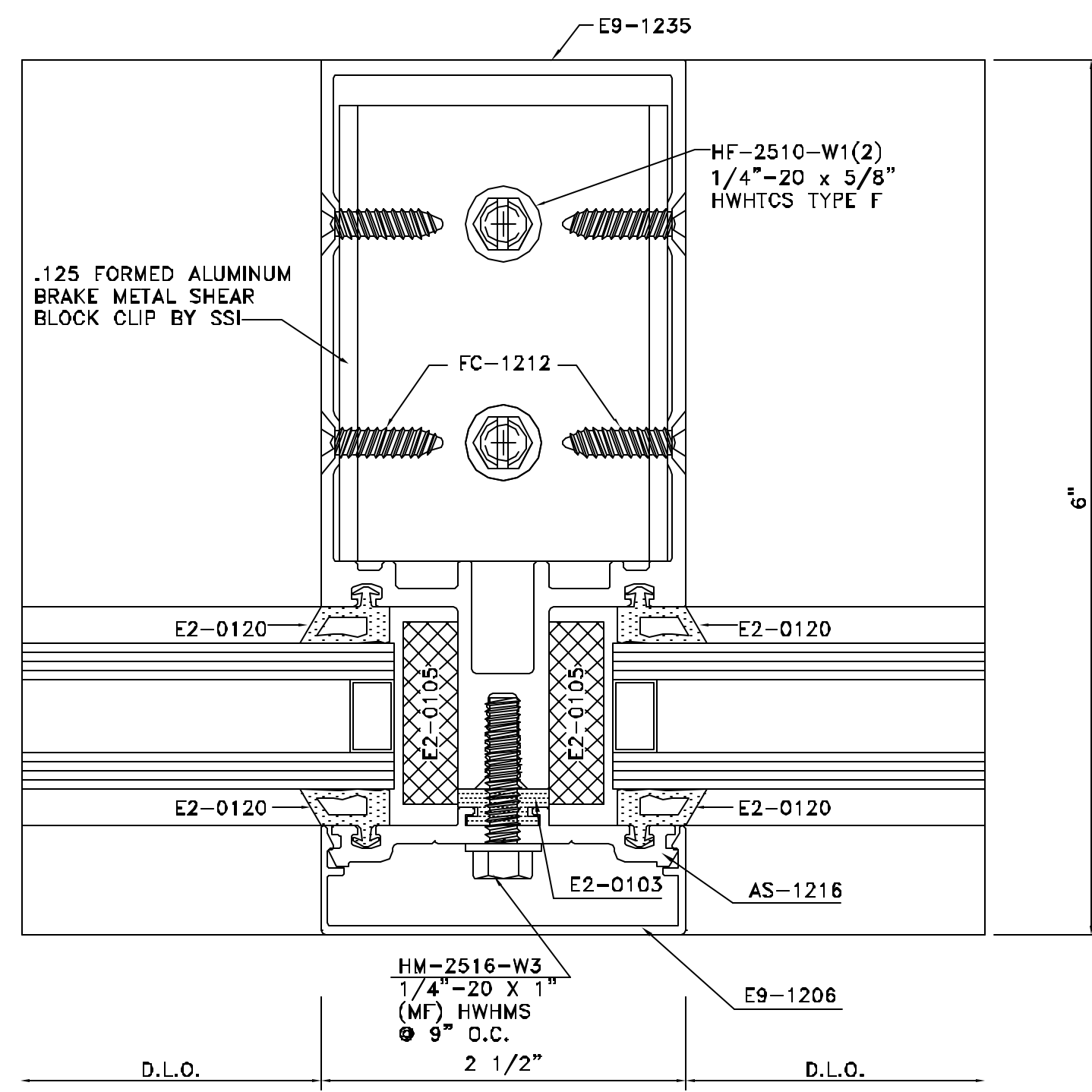
DETAIL 33  
FULL SCALE  
ARCH. REF.: CUSTOM SHEAR BLOCK CLIP



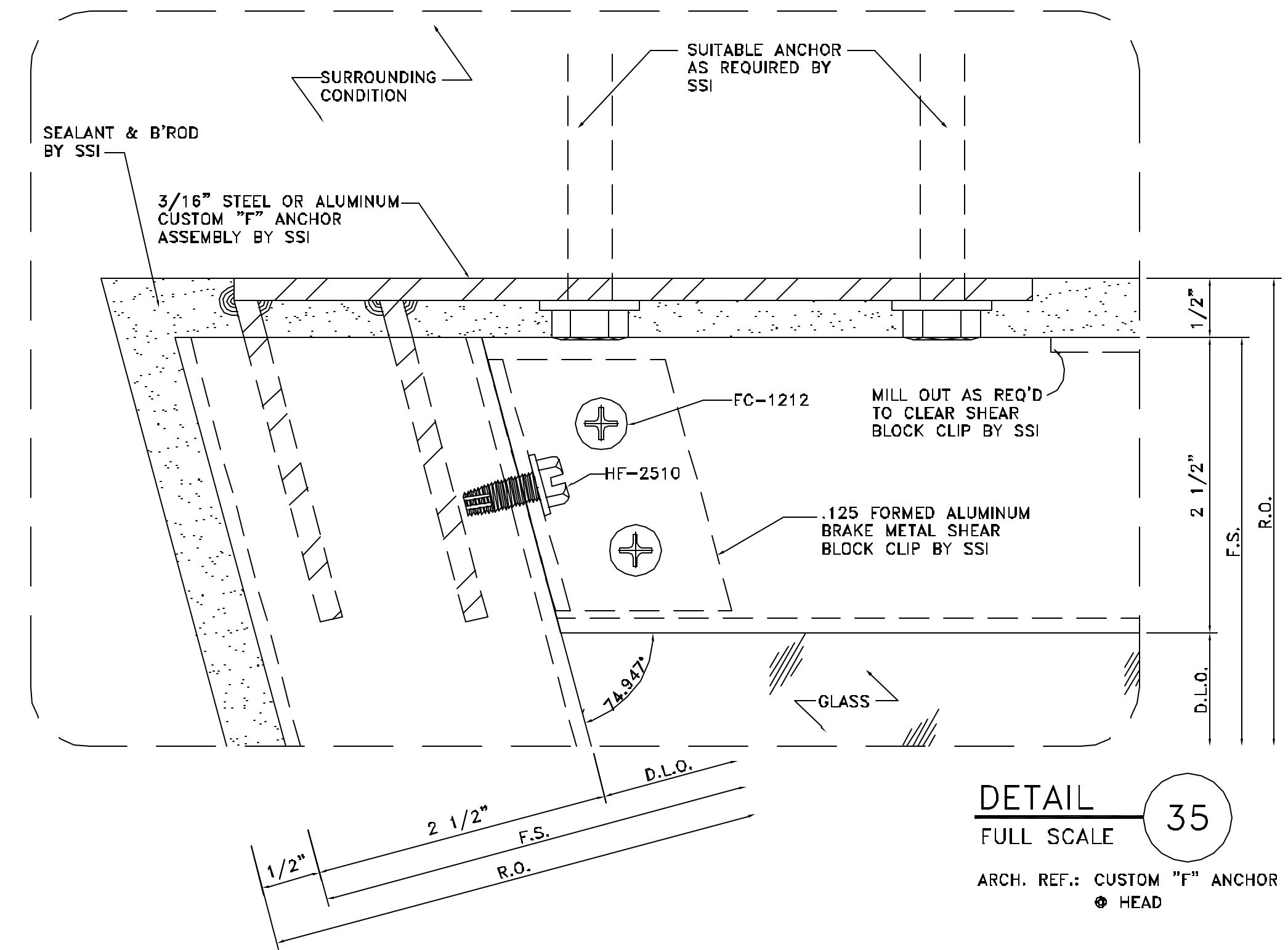
DETAIL 34  
FULL SCALE  
ARCH. REF.: CUSTOM SHEAR BLOCK CLIP



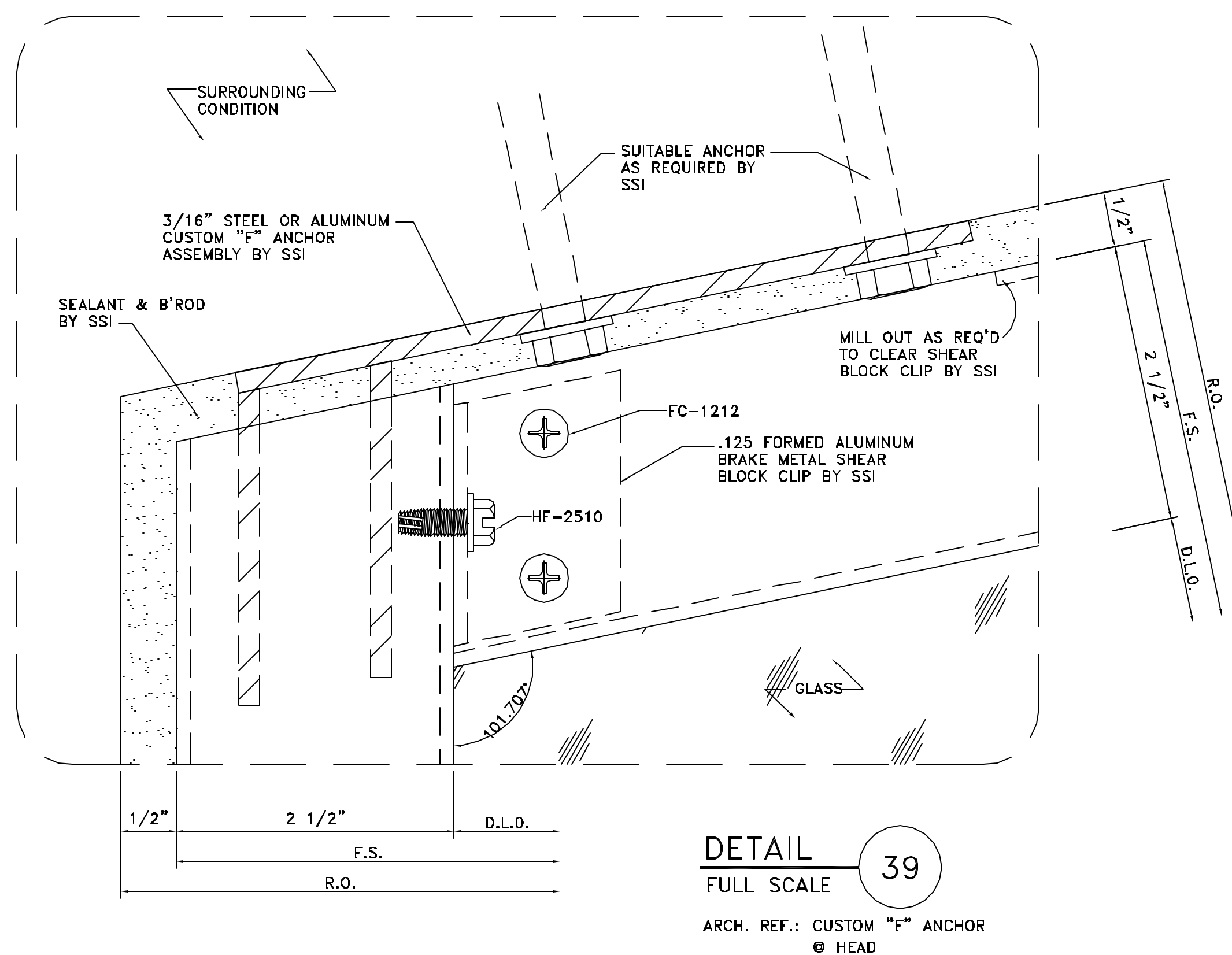
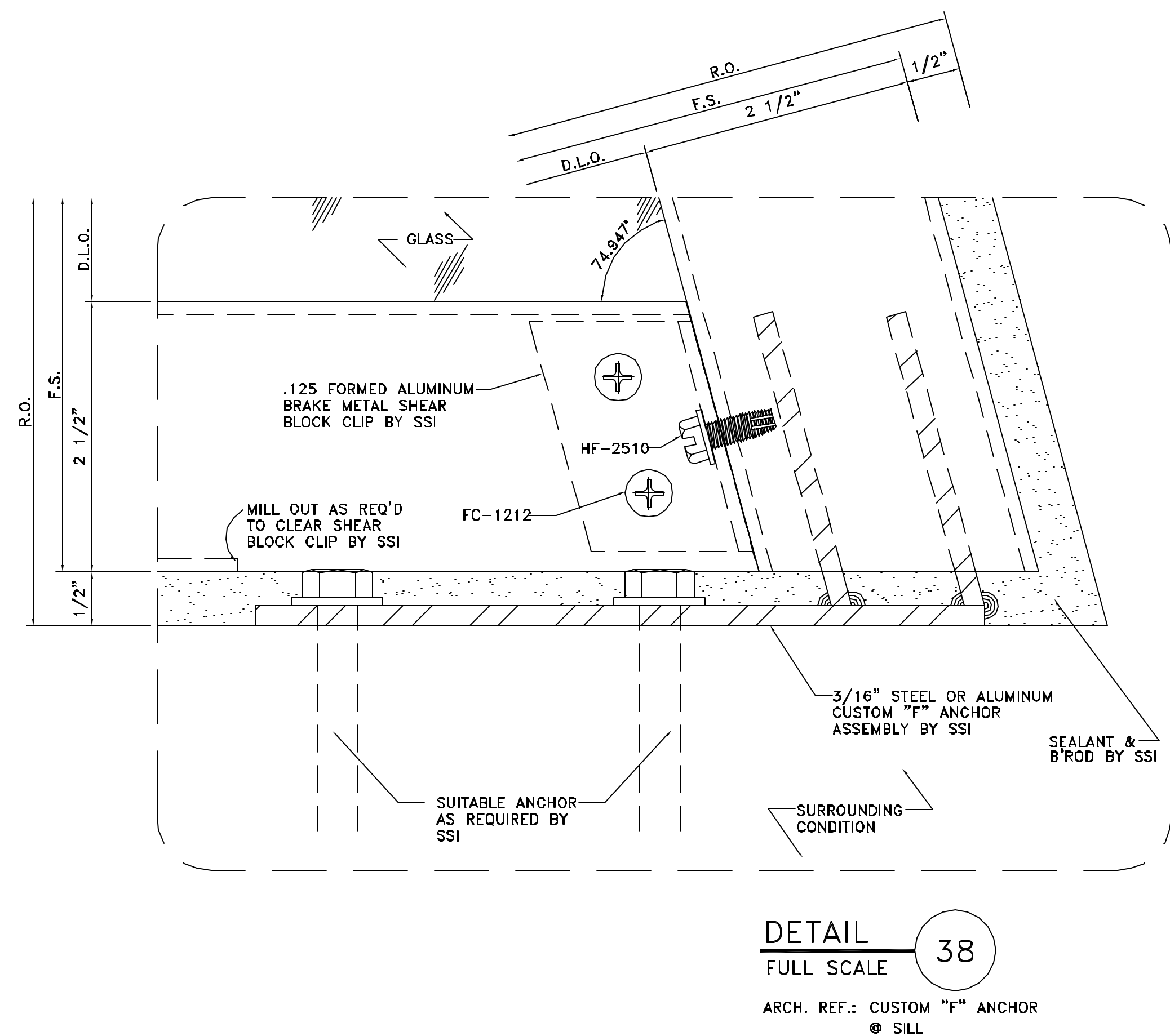
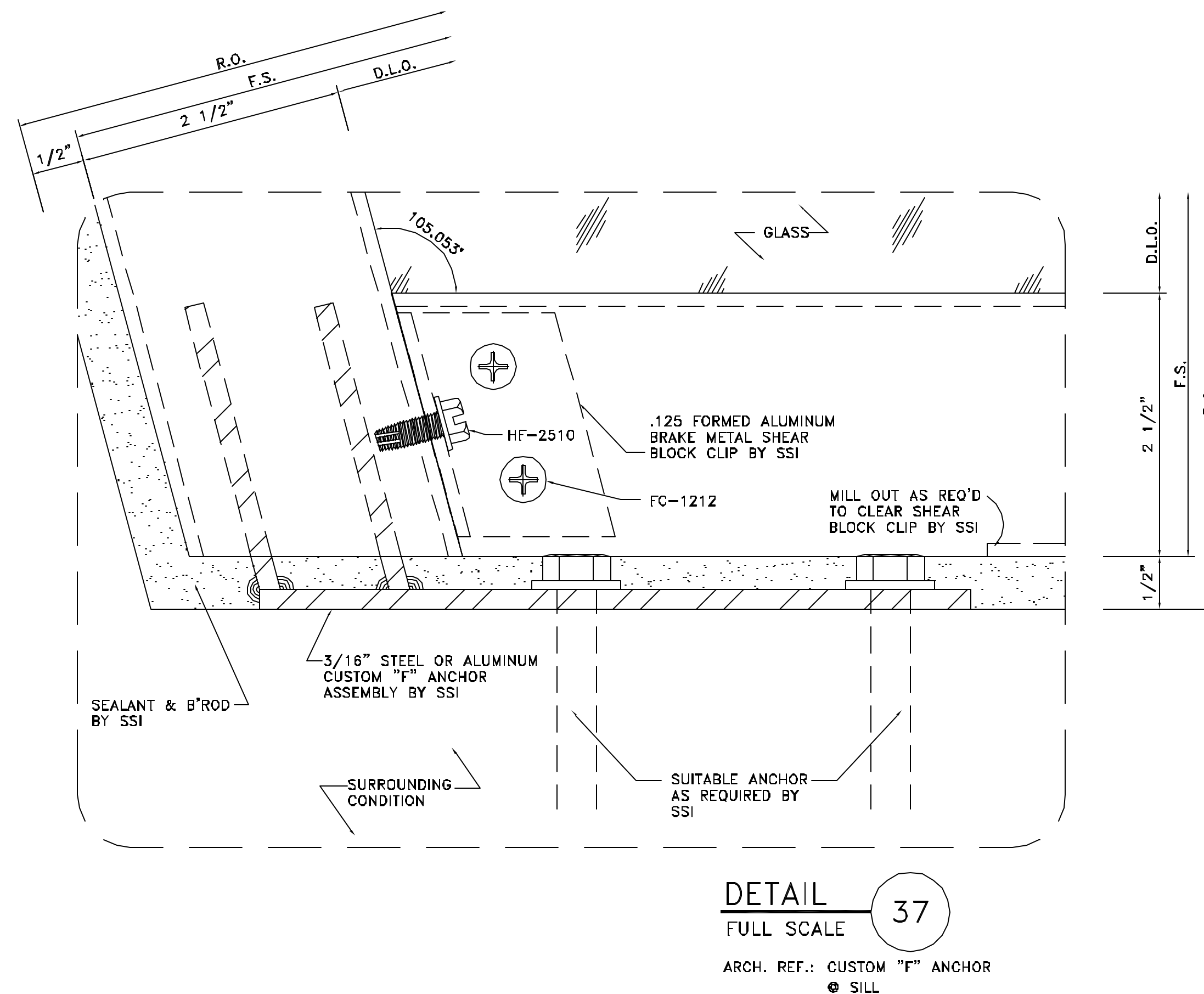
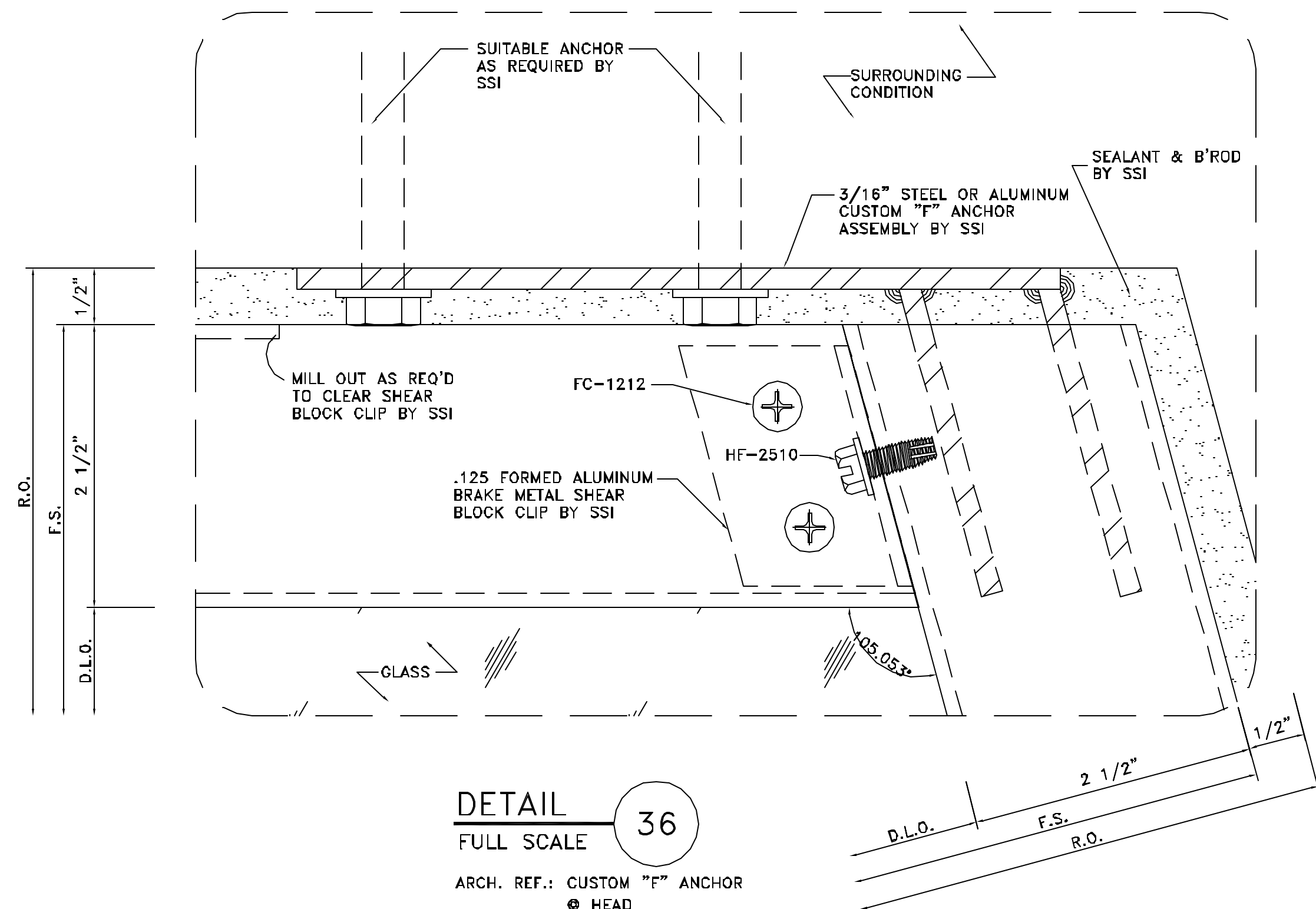
DETAIL 31  
FULL SCALE  
ARCH. REF.: MULLION (1" TO 1")



DETAIL 32  
FULL SCALE  
ARCH. REF.: MULLION (1" TO 1")  
● ROTATED CUSTOM CLIP



DETAIL 35  
FULL SCALE  
ARCH. REF.: CUSTOM "F" ANCHOR  
● HEAD



# SSI

Storefront Systems, Inc.  
9170 Old Atlanta Highway, NW  
Covington, GA 30014  
770.784.1555  
770.385.8010 Fax

NO.	REVISION	ISSUE DATE	BY	CHKD BY

ARCHITECT NAME AND LOCATION:  
WAKEFIELD, BEASLEY & ASSOCIATES  
5155 PEACHTREE PARKWAY  
BUILDING 300, SUITE 3220  
NORCROSS, GEORGIA 30092

CUSTOMER NAME AND LOCATION:  
PANATTONI CONSTRUCTION, LLC.  
ATLANTA, GEORGIA

PROJECT NAME AND LOCATION:  
KUMHO TIRE  
1240 HIGHWAY 155 SOUTH  
LAND LOT 222, 7TH DISTRICT  
HENRY COUNTY, GEORGIA

DESCRIPTION:	
SCALE:	ISSUE DATE:
FULL	09/20/06
DRAWN BY:	SHEET NO.:
BKB	D10
CHECKED BY:	
BKB	

E:\DWG\SSA\KUMHO TIRE\KUMHO-D10

NO.	
REVISION	
ISSUE DATE	
BY	
CHKD BY	

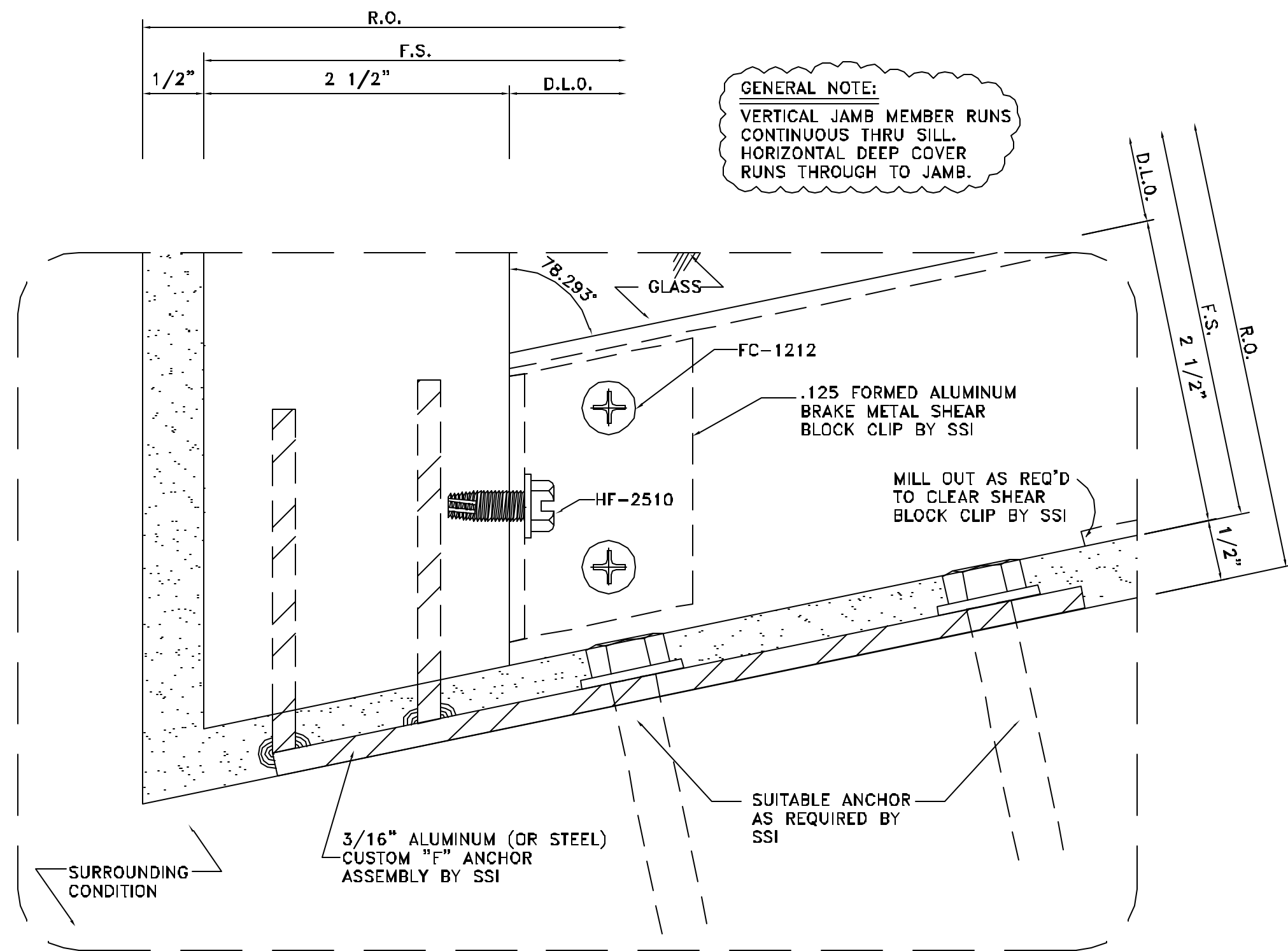
ARCHITECT NAME AND LOCATION:  
WAKEFIELD, BEASLEY & ASSOCIATES  
5155 PEACHTREE PARKWAY  
BUILDING 300, SUITE 3220  
NORCROSS, GEORGIA 30092

CUSTOMER NAME AND LOCATION:  
PANATTONI CONSTRUCTION, LLC.  
ATLANTA, GEORGIA

PROJECT NAME AND LOCATION:  
KUMHO TIRE  
1240 HIGHWAY 155 SOUTH  
LAND LOT 222, 7TH DISTRICT  
HENRY COUNTY, GEORGIA

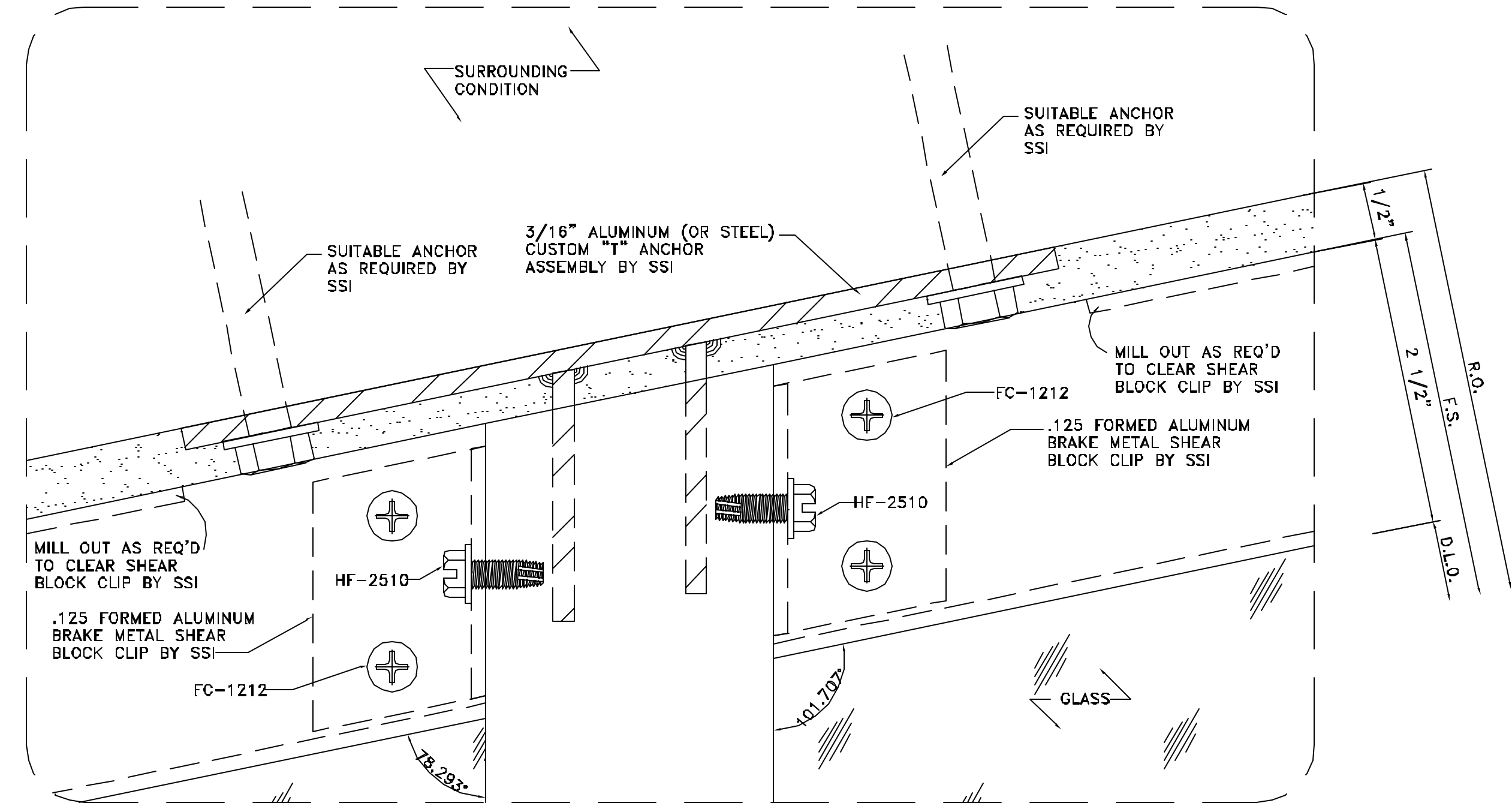
DESCRIPTION:  
DETAILS

SCALE:	ISSUE DATE:
FULL	09/20/06
DRAWN BY:	SHEET NO.:
BKB	D11
CHECKED BY:	
BKB	



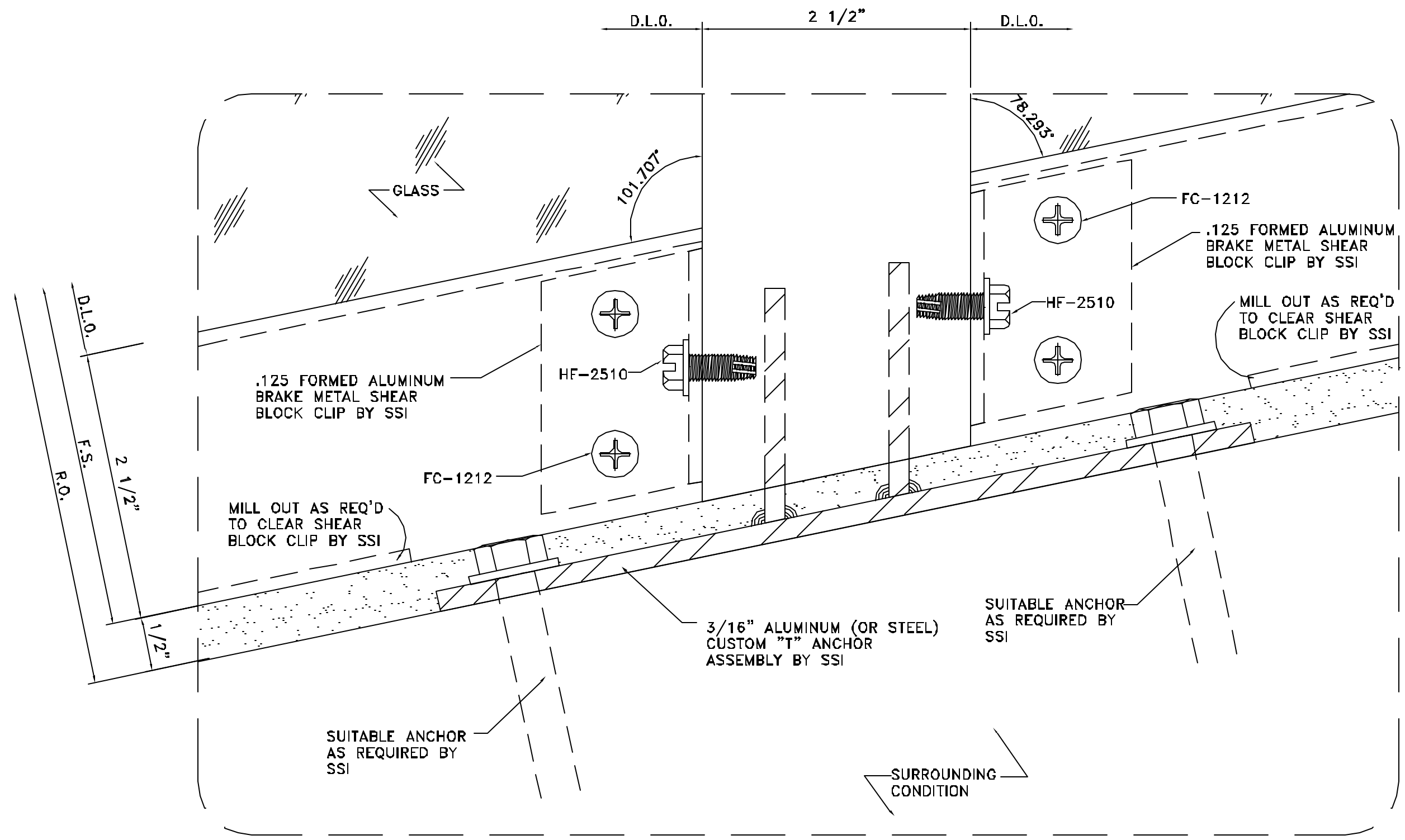
**DETAIL 40**  
FULL SCALE

ARCH. REF.: CUSTOM "F" ANCHOR  
⊕ SILL/JAMB INTERSECTION



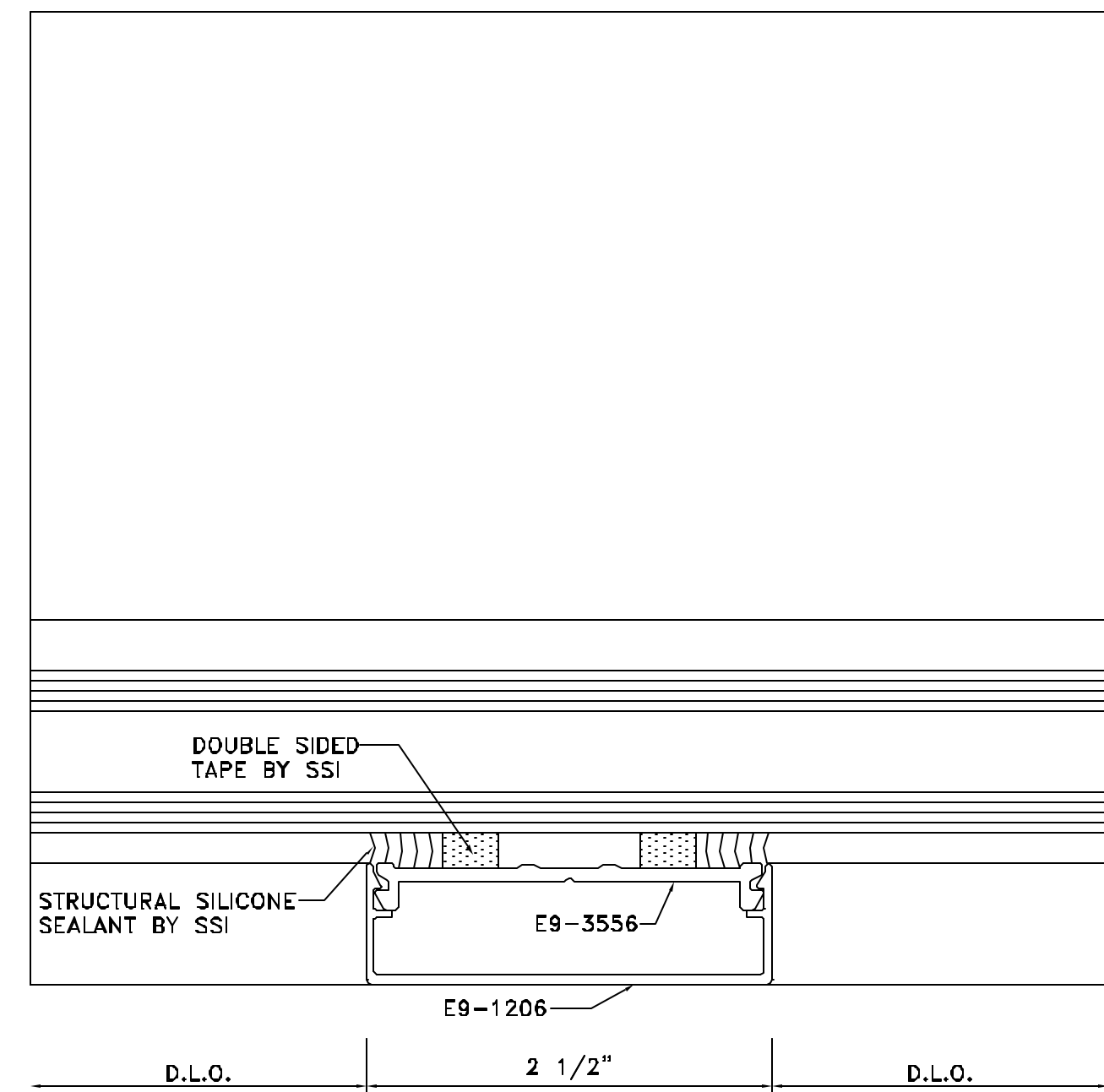
**DETAIL 41**  
FULL SCALE

ARCH. REF.: CUSTOM "T" ANCHOR  
⊕ HEAD/MULLION INTERSECTION



**DETAIL 42**  
FULL SCALE

ARCH. REF.: CUSTOM "T" ANCHOR  
⊕ SILL/MULLION INTERSECTION



**DETAIL 43**  
FULL SCALE

ARCH. REF.: VERTICAL APPLIED COVER

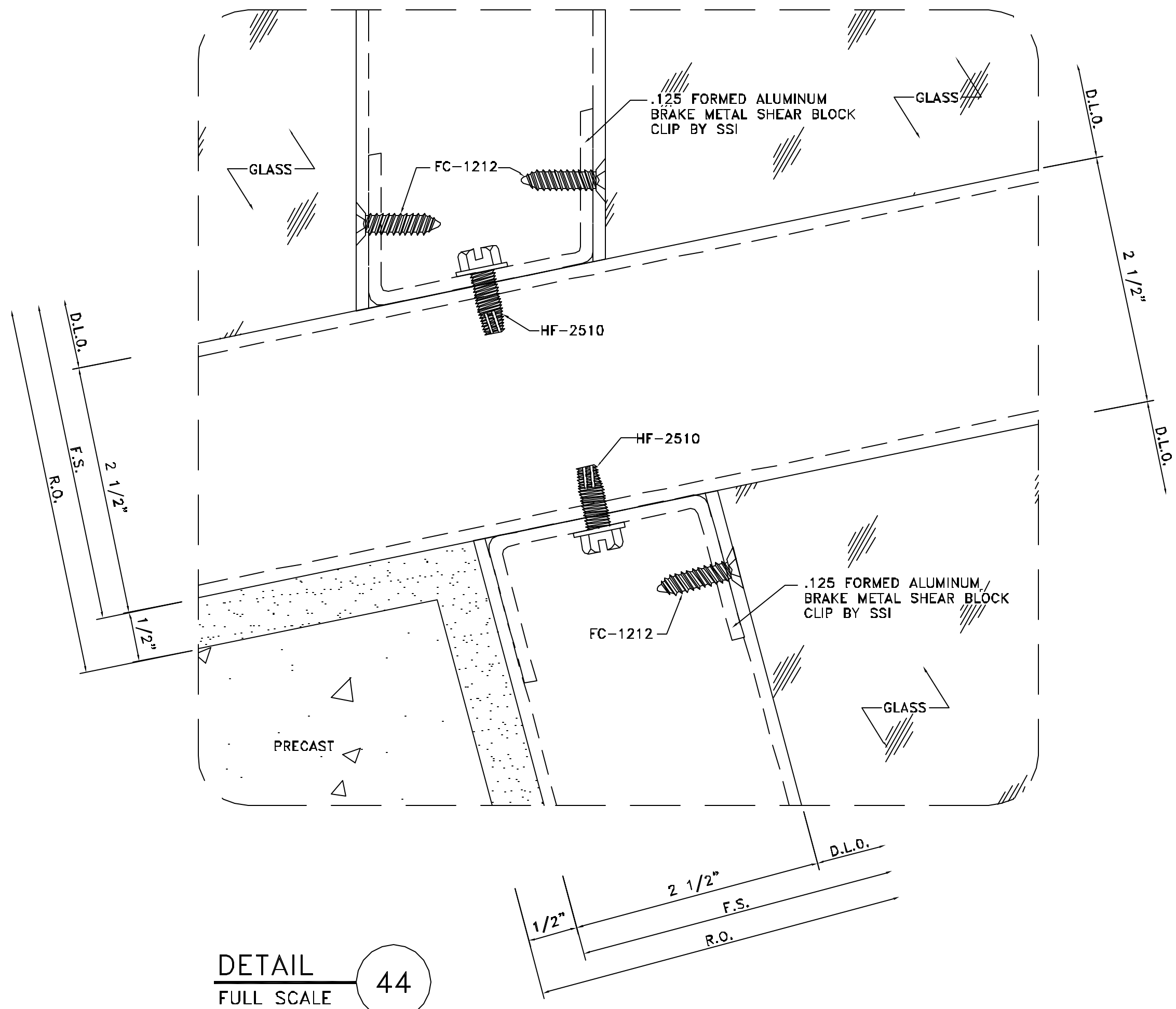
NO.	REVISION	ISSUE DATE	BY	CHKD BY

ARCHITECT NAME AND LOCATION:  
WAKEFIELD, BEASLEY & ASSOCIATES  
5155 PEACHTREE PARKWAY  
BUILDING 300, SUITE 3220  
NORCROSS, GEORGIA 30092

CUSTOMER NAME AND LOCATION:  
PANATTONI CONSTRUCTION, LLC.  
ATLANTA, GEORGIA

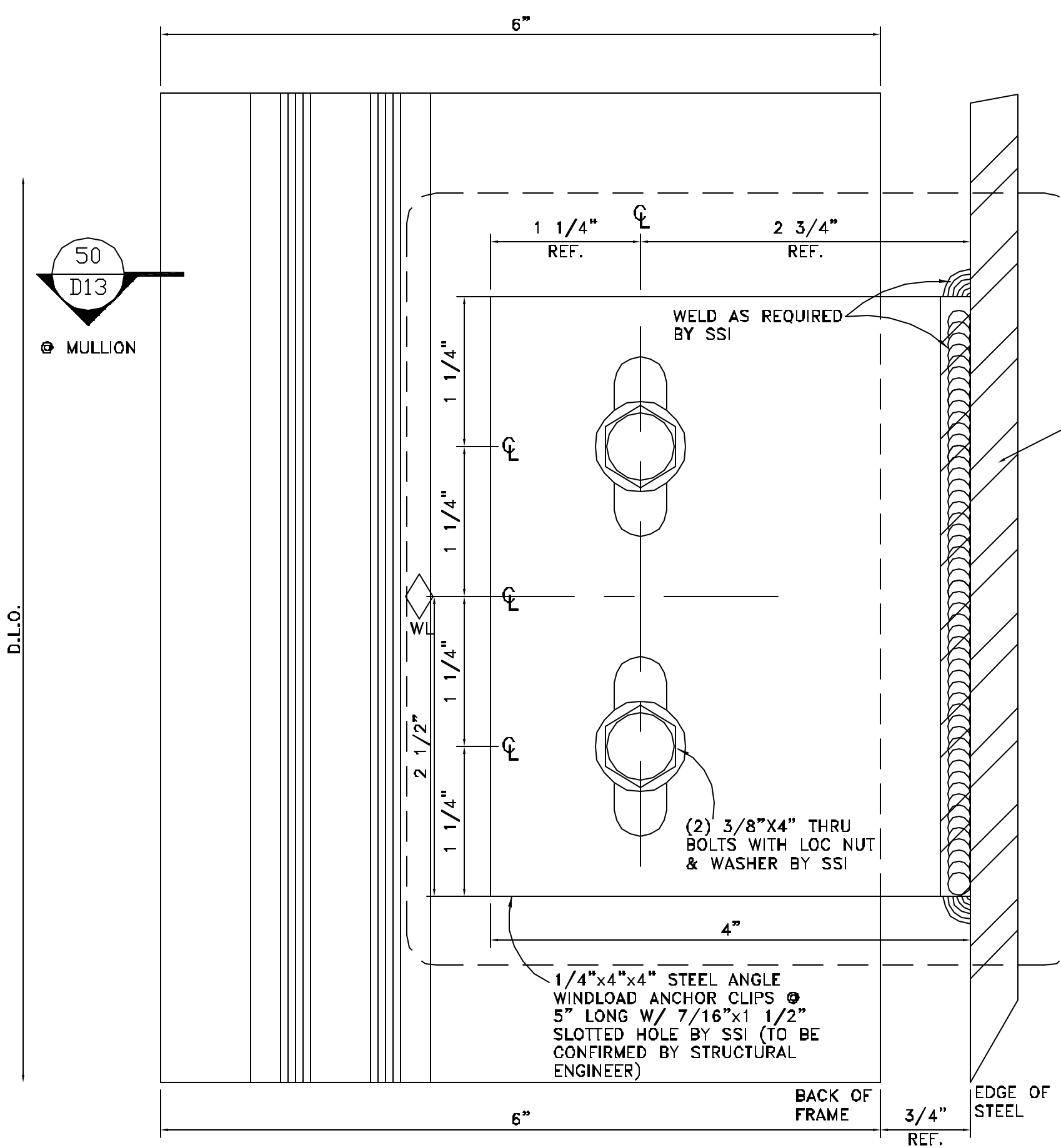
PROJECT NAME AND LOCATION:  
KUMHO TIRE  
1240 HIGHWAY 155 SOUTH  
LAND LOT 222, 7TH DISTRICT  
HENRY COUNTY, GEORGIA

DESCRIPTION: DETAILS	
SCALE: FULL	ISSUE DATE: 09/20/06
DRAWN BY: BKB	SHEET NO.:
CHECKED BY: BKB	D12



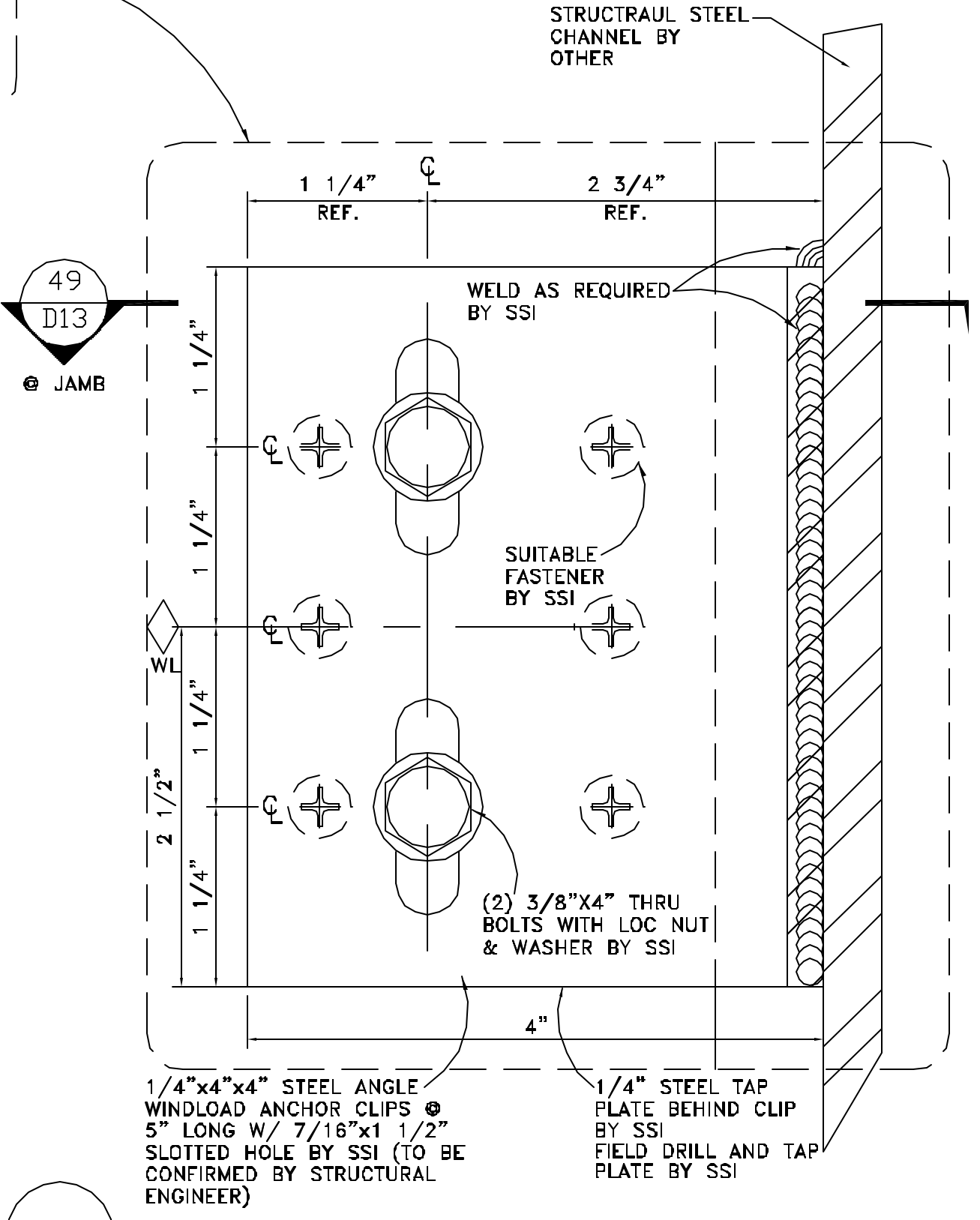
**DETAIL 44**  
FULL SCALE

ARCH. REF.: CUSTOM SHEAR BLOCK CLIPS  
@ SILL/HORIZONTAL TRANSITION



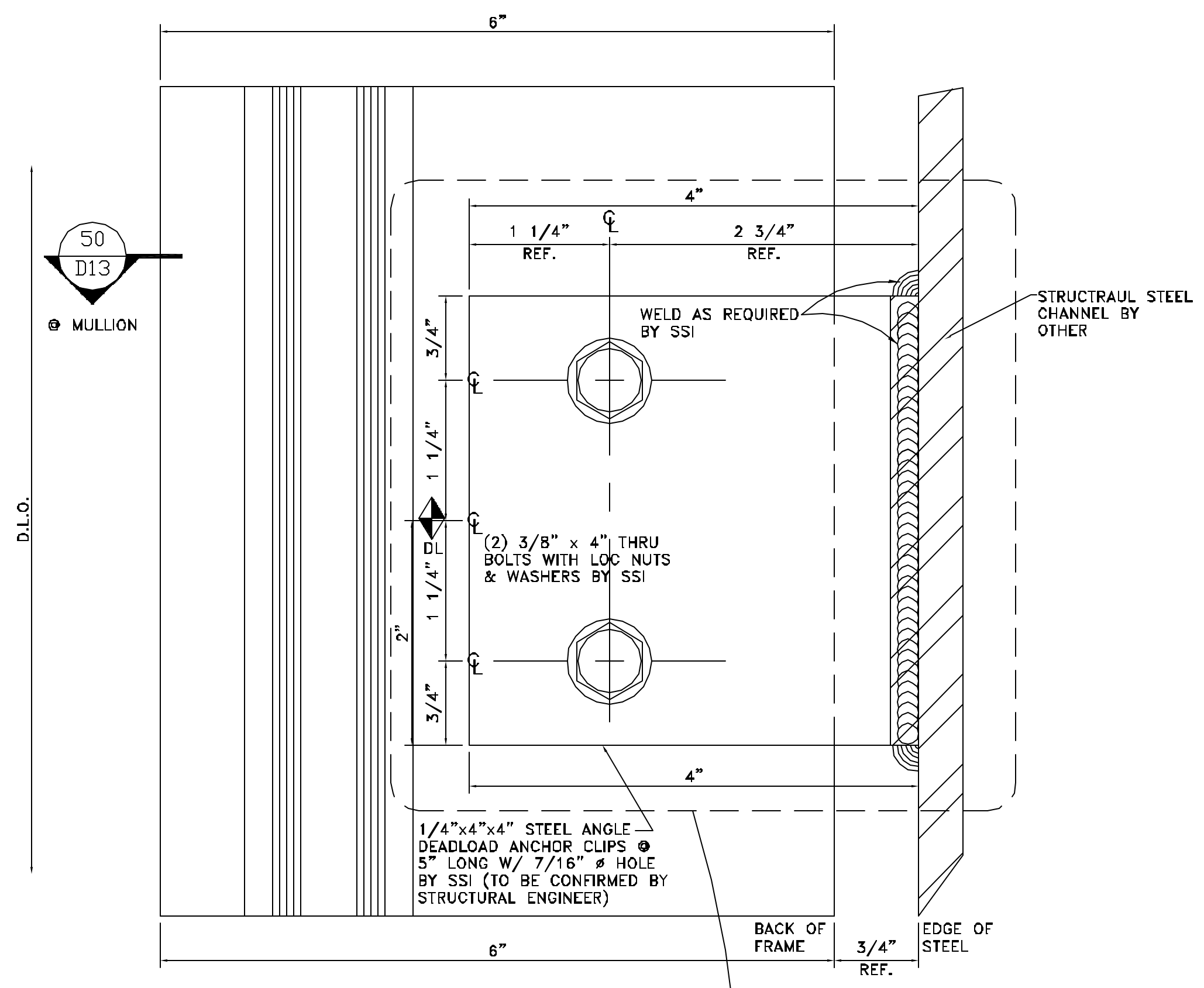
**DETAIL 45**  
FULL SCALE

ARCH. REF.: WINDLOAD ANCHOR SECTION @ MULLION

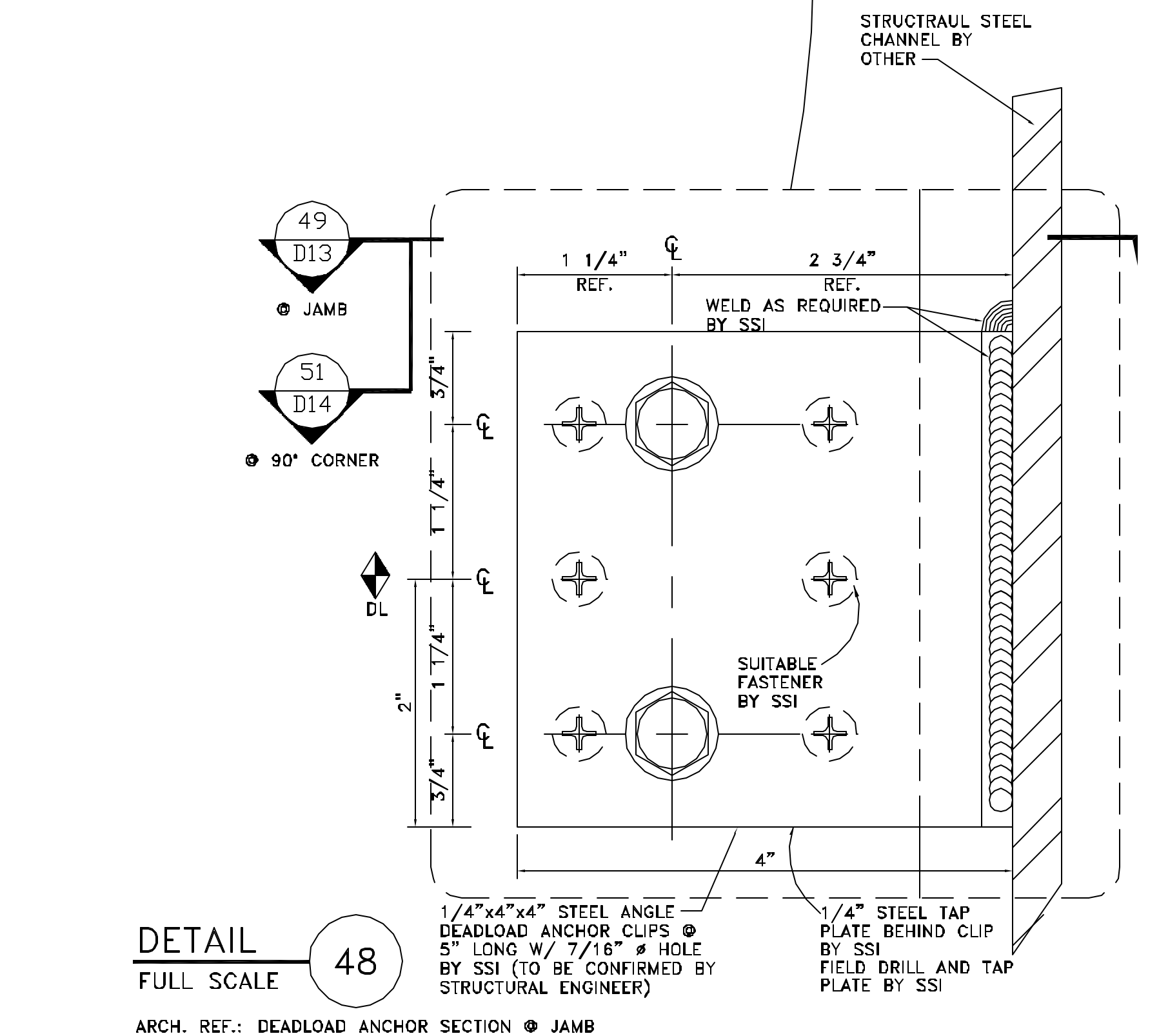


**DETAIL 46**  
FULL SCALE

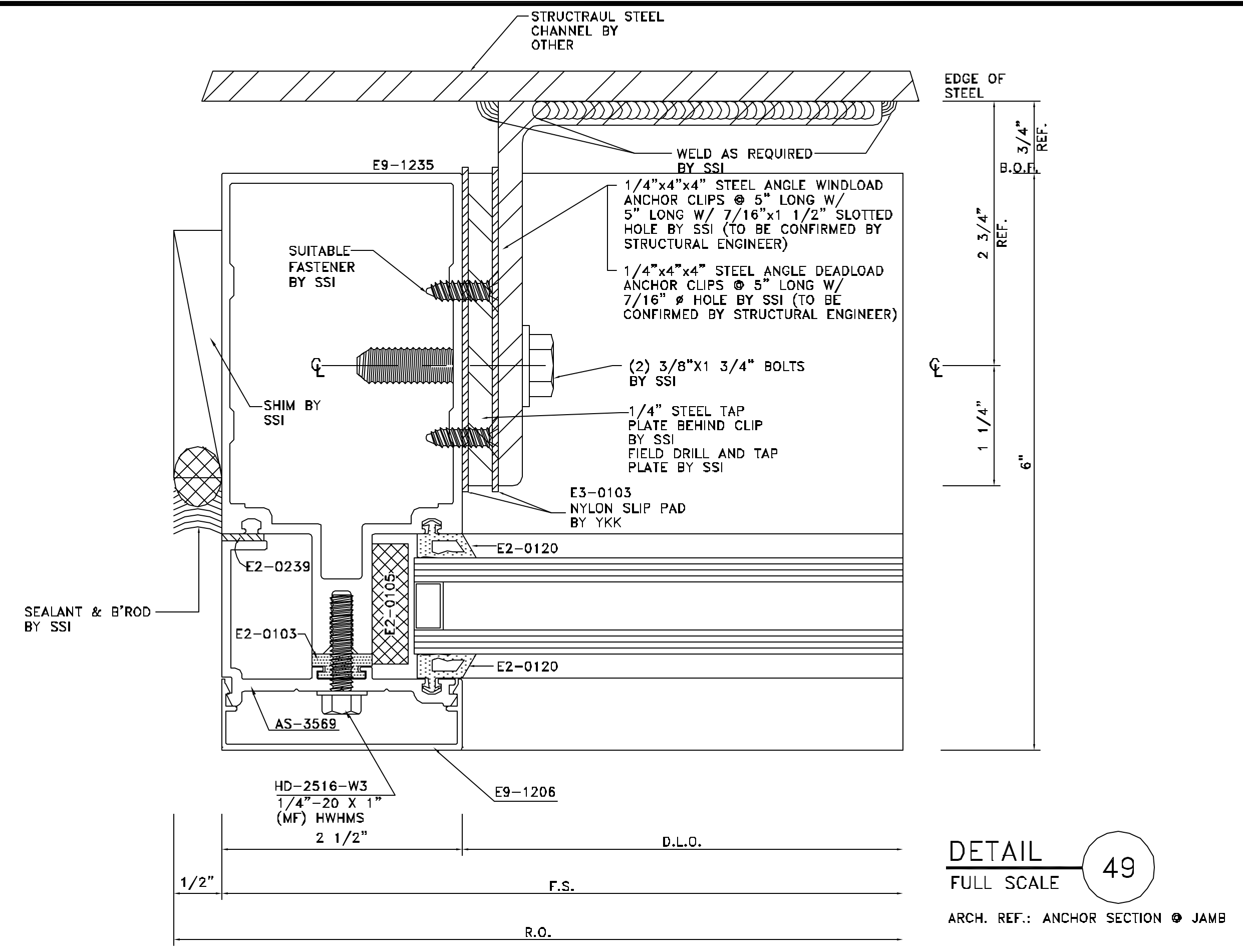
ARCH. REF.: WINDLOAD ANCHOR SECTION @ JAMB



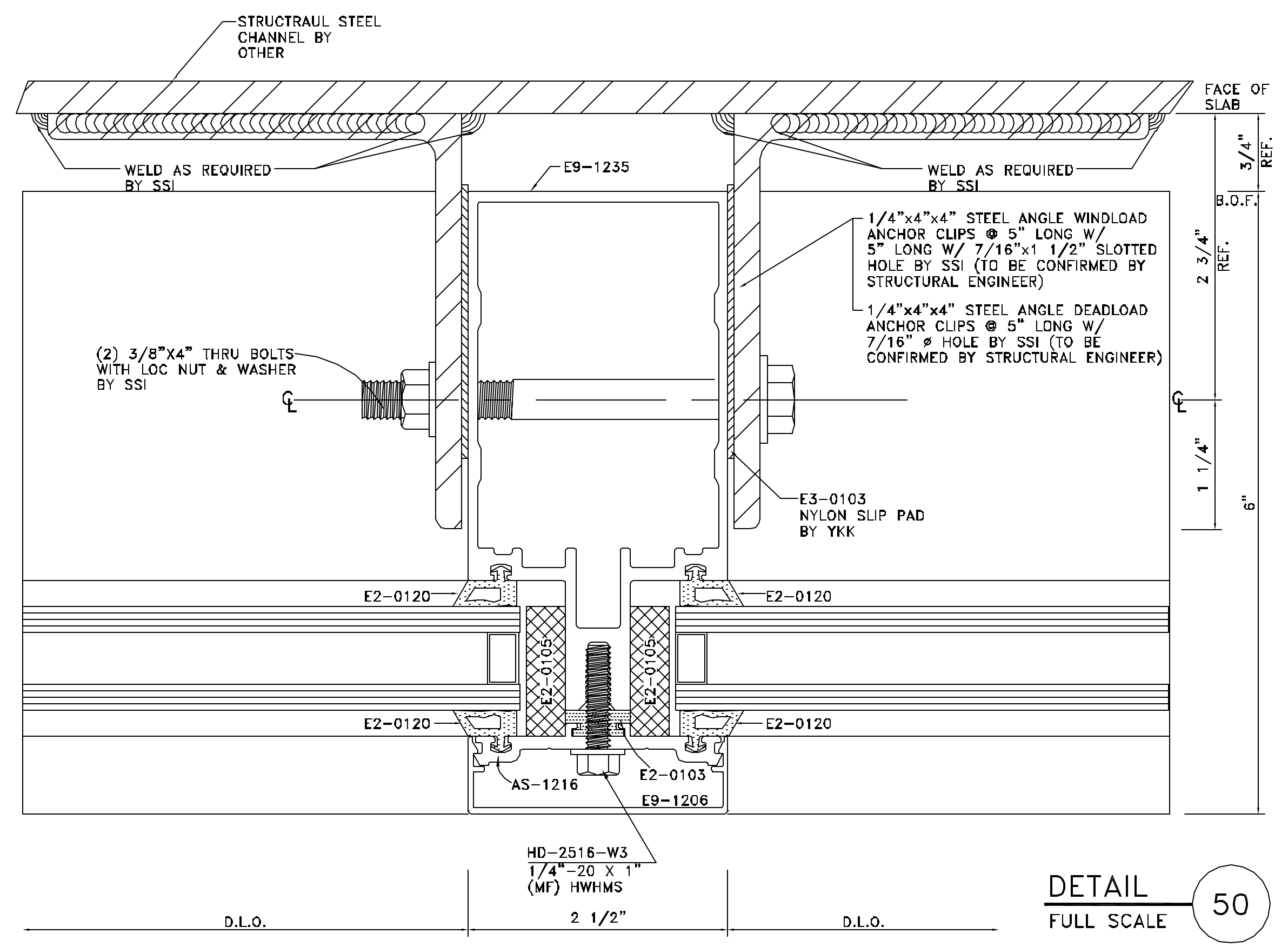
**DETAIL 47**  
 FULL SCALE  
 ARCH. REF.: DEADLOAD ANCHOR SECTION @ MULLION



**DETAIL 48**  
 FULL SCALE  
 ARCH. REF.: DEADLOAD ANCHOR SECTION @ JAMB



**DETAIL 49**  
 FULL SCALE  
 ARCH. REF.: ANCHOR SECTION @ JAMB



**DETAIL 50**  
 FULL SCALE  
 ARCH. REF.: ANCHOR SECTION @ MULLION

**SSI**

Storefront Systems, Inc.  
 9170 Old Atlanta Highway, NW  
 Covington, GA 30014  
 770.784.1555  
 770.385.8010 Fax

NO.	REVISION	ISSUE DATE	BY	CHKD BY

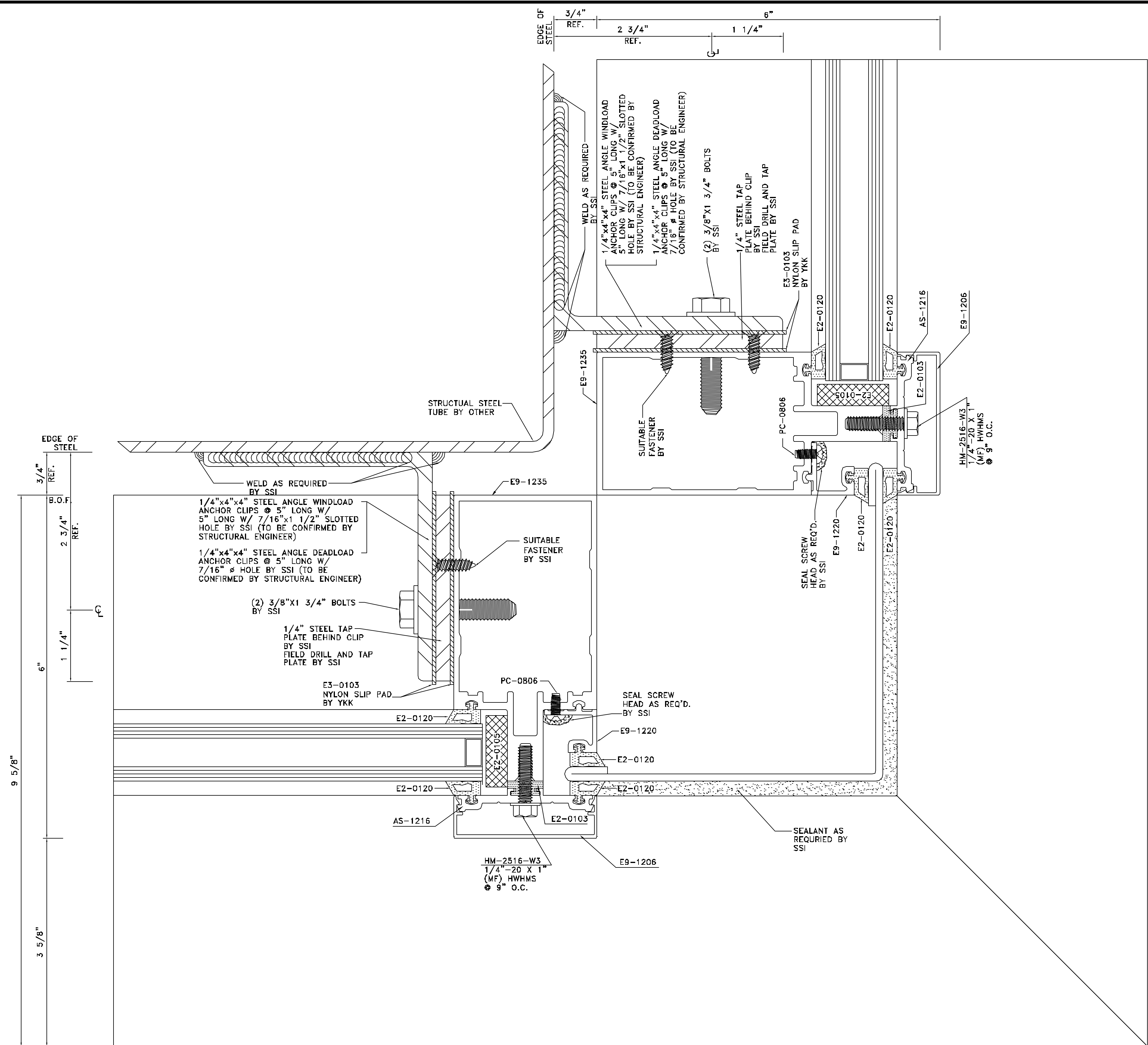
ARCHITECT NAME AND LOCATION:  
 WAKEFIELD, BEASLEY & ASSOCIATES  
 5155 PEACHTREE PARKWAY  
 BUILDING 300, SUITE 3220  
 NORCROSS, GEORGIA 30092

CUSTOMER NAME AND LOCATION:  
 PANATTONI CONSTRUCTION, LLC.  
 ATLANTA, GEORGIA

PROJECT NAME AND LOCATION:  
 KUMHO TIRE  
 1240 HIGHWAY 155 SOUTH  
 LAND LOT 222, 7TH DISTRICT  
 HENRY COUNTY, GEORGIA

DESCRIPTION:	
SCALE:	ISSUE DATE:
FULL	09/20/06
DRAWN BY:	SHEET NO.:
BKB	D13
CHECKED BY:	
BKB	

E:\DWG\SS\KUMHO TIRE\KUMHO-D13



3 5/8" REF.  
 9 5/8" REF.  
 6" REF.  
 1 1/4" REF.  
 B.O.F. REF.  
 2 3/4" REF.  
 3/4" REF.  
 EDGE OF STEEL REF.

FACE OF RETURN FRAME REF. 1" REF.  
 EDGE OF BRAKE METAL REF. 5" B/M REF.  
 2 1/2" REF.  
 D.I.O.

D.L.O. 2 1/2" 5" B/M REF. 1" REF. FACE OF RETURN FRAME

**DETAIL**  
 FULL SCALE  
 51

ARCH. REF.: ANCHOR SECTION @ 90° OUTSIDE CORNER

**SSi**

Storefront Systems, Inc.  
 9170 Old Atlanta Highway, NW  
 Covington, GA 30014  
 770.784.1555  
 770.385.8010 Fax

NO.	REVISION	ISSUE DATE	BY	CHKD BY

ARCHITECT NAME AND LOCATION:  
 WAKEFIELD, BEASLEY & ASSOCIATES  
 5155 PEACHTREE PARKWAY  
 BUILDING 300, SUITE 3220  
 NORCROSS, GEORGIA 30092

CUSTOMER NAME AND LOCATION:  
 PANATTONI CONSTRUCTION, LLC.  
 ATLANTA, GEORGIA

PROJECT NAME AND LOCATION:  
 KUMHO TIRE  
 1240 HIGHWAY 155 SOUTH  
 LAND LOT 222, 7TH DISTRICT  
 HENRY COUNTY, GEORGIA

DESCRIPTION:	
DETAILS	
SCALE:	ISSUE DATE:
FULL	09/20/06
DRAWN BY:	SHEET NO.:
BKB	D14
CHECKED BY:	
BKB	

E:\DWG\SSi\KUMHO TIRE\KUMHO-D14

NO.	REVISION	ISSUE DATE	BY	CHKD

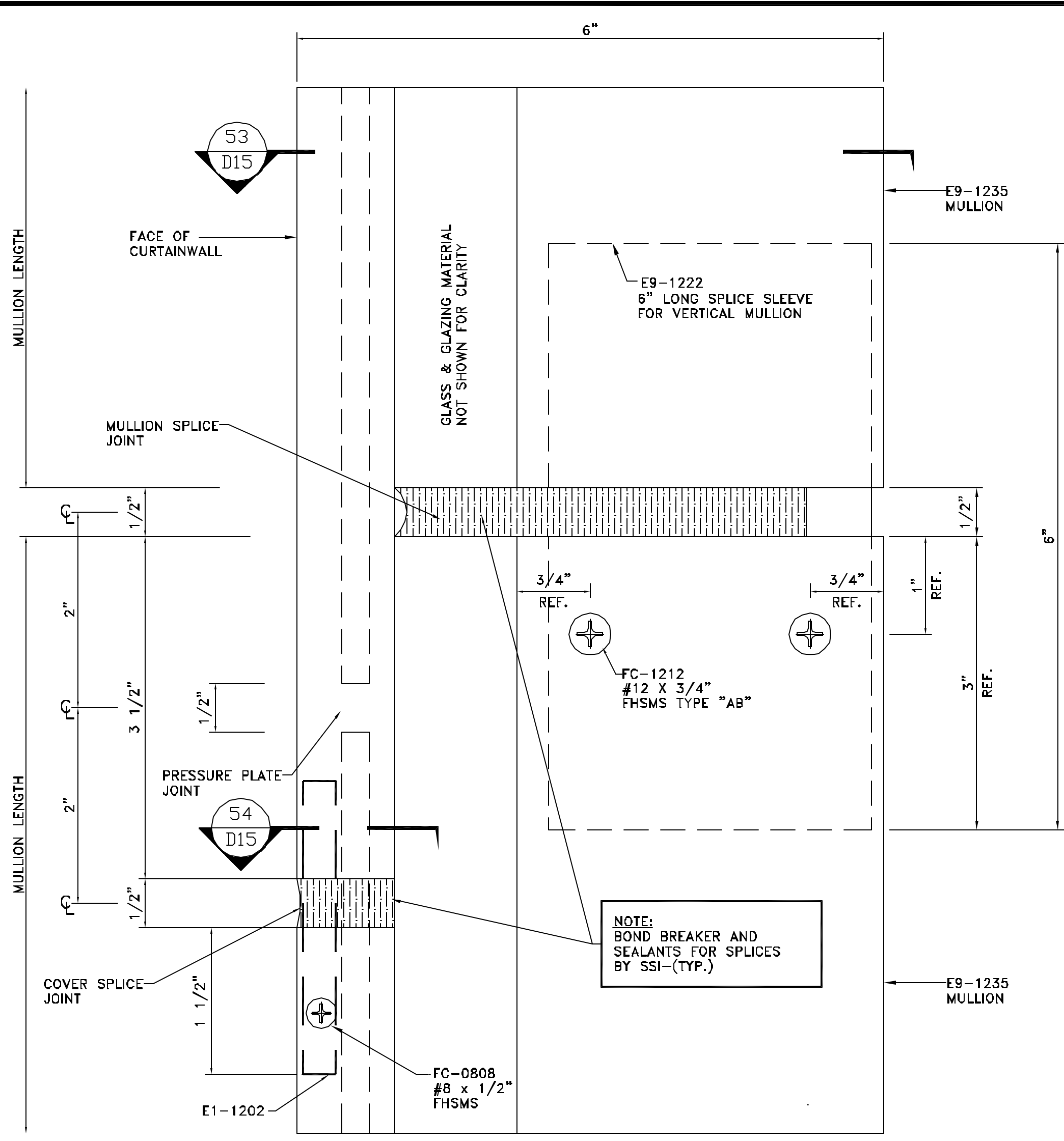
ARCHITECT NAME AND LOCATION:  
WAKEFIELD, BEASLEY & ASSOCIATES  
5155 PEACHTREE PARKWAY  
BUILDING 300, SUITE 3220  
NORCROSS, GEORGIA 30092

CUSTOMER NAME AND LOCATION:  
PANATTONI CONSTRUCTION, LLC.  
ATLANTA, GEORGIA

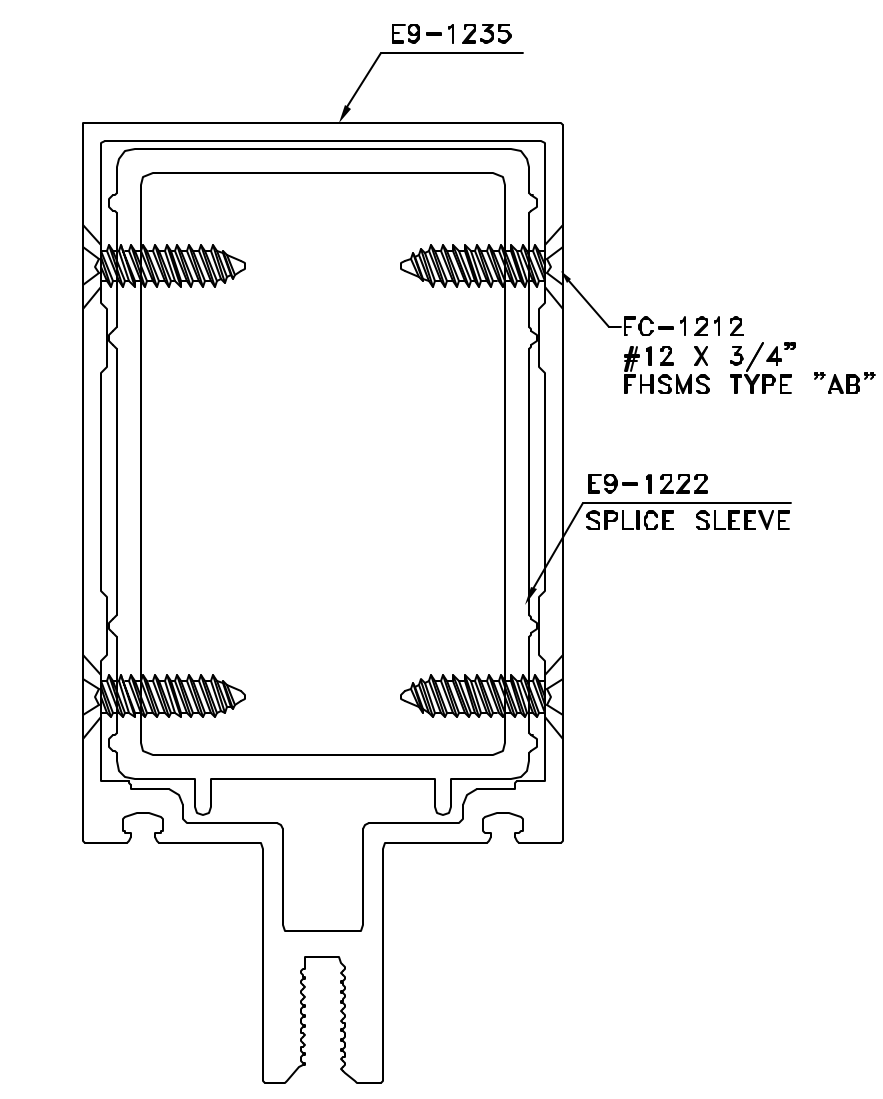
PROJECT NAME AND LOCATION:  
KUMHO TIRE  
1240 HIGHWAY 155 SOUTH  
LAND LOT 222, 7TH DISTRICT  
HENRY COUNTY, GEORGIA

DESCRIPTION:  
DETAILS

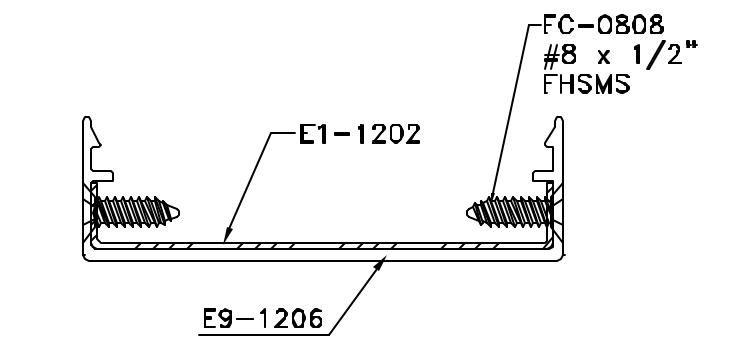
SCALE: FULL	ISSUE DATE: 09/20/06
DRAWN BY: BKB	SHEET NO.:
CHECKED BY: BKB	D15



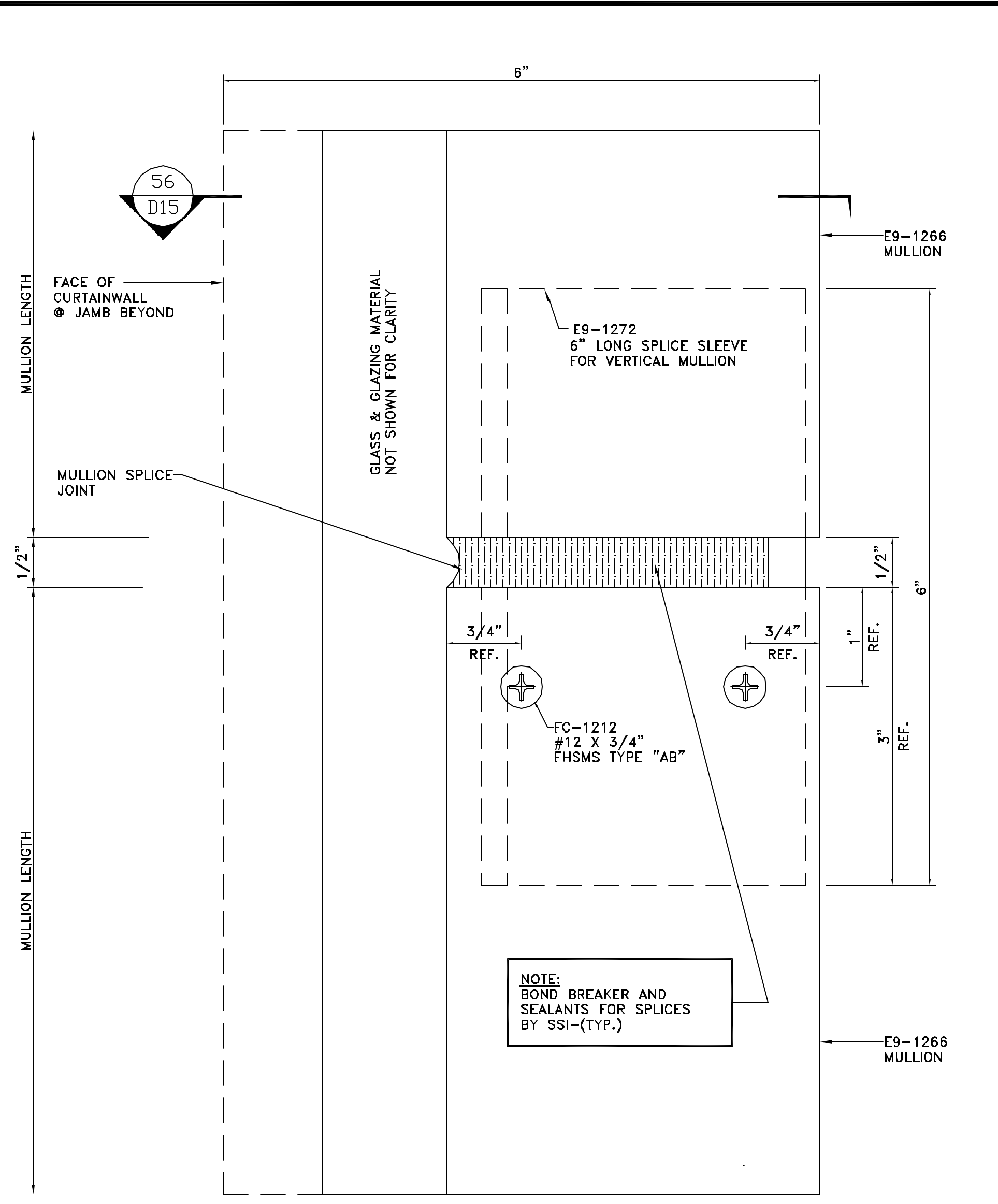
**DETAIL 52**  
FULL SCALE  
ARCH. REF.: CAPTURED MULLION SPLICE



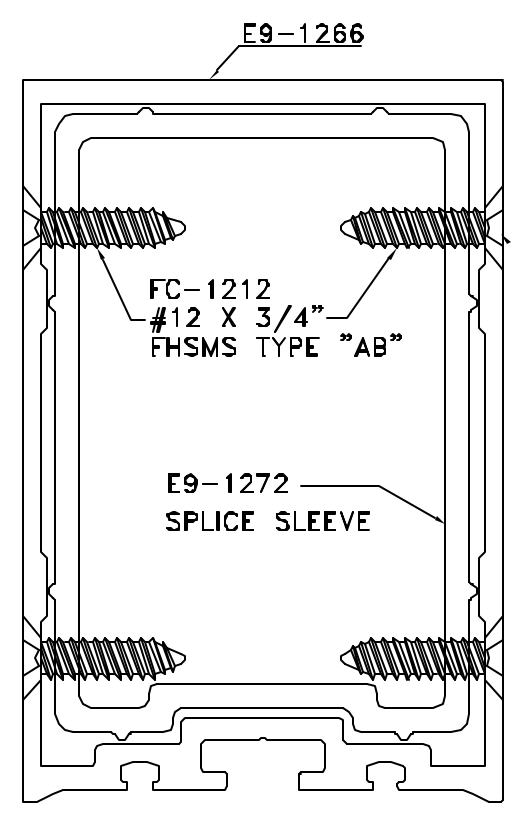
**DETAIL 53**  
FULL SCALE  
ARCH. REF.: CAPTURED MULLION SPLICE SECTION



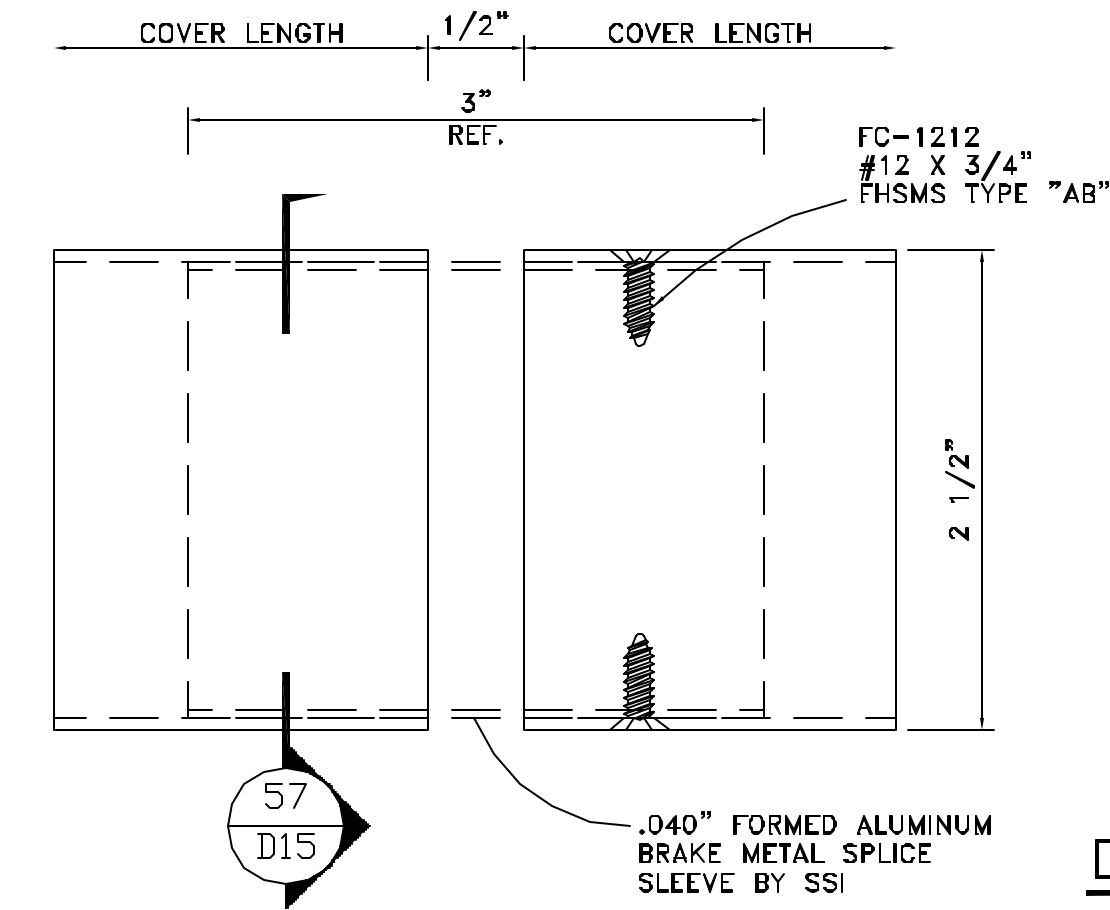
**DETAIL 54**  
FULL SCALE  
ARCH. REF.: COVER SPLICE SECTION



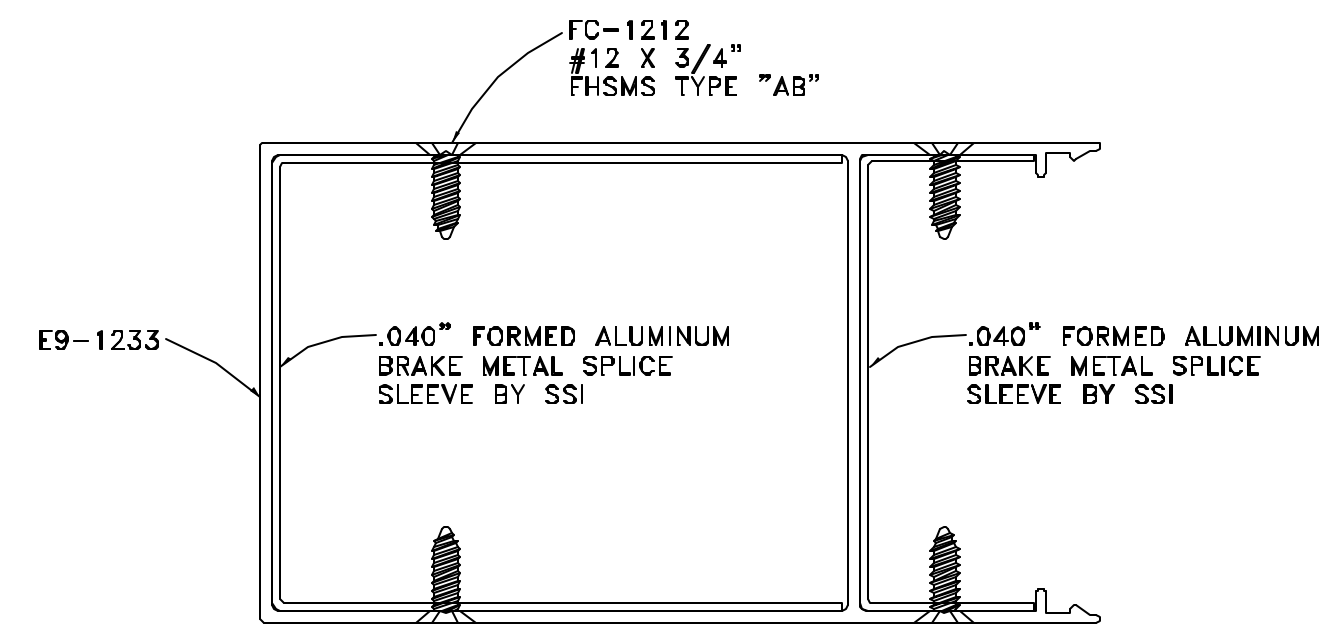
**DETAIL 55**  
FULL SCALE  
ARCH. REF.: SSG MULLION SPLICE



**DETAIL 56**  
FULL SCALE  
ARCH. REF.: SSG SPLICE SECTION



**DETAIL 57**  
FULL SCALE  
ARCH. REF.: FRONT VIEW • SPLICE SLEEVE • DEEP COVER



**DETAIL 58**  
FULL SCALE  
ARCH. REF.: SPLICE SLEEVE • DEEP COVER